

**Features:**

- Fits most tubs 14 to 16 inches high
- 1-1/2 brass tubing in 17 and 20 Gauges
- Patented adjustable self-retaining rubber head gasket
- Patented pre-adjustable linkage
- Cast brass pop-up and shoe plug
- Heavy duty, highly polished face plate
- Extra long plunger stroke
- Patented Heavy duty cast red brass head, tee and shoe
- Cast red brass coupling nuts supplied with 17 Gauge Tubing
- Plated zinc coupling nuts supplied with 20 Gauge tubing
- Partially assembled in carton
- Compartmentalized packaging
- Available in Chrome, Polished Brass, White, Biscuit and Brushed Nickel

**Technical Specifications:**

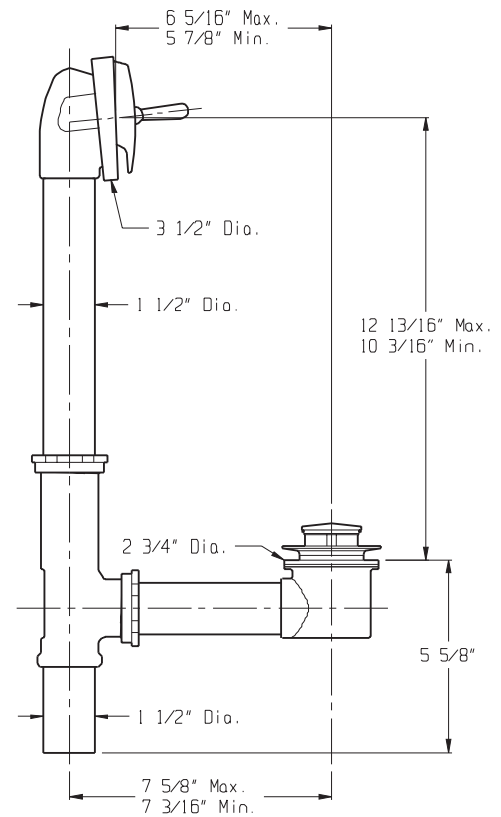
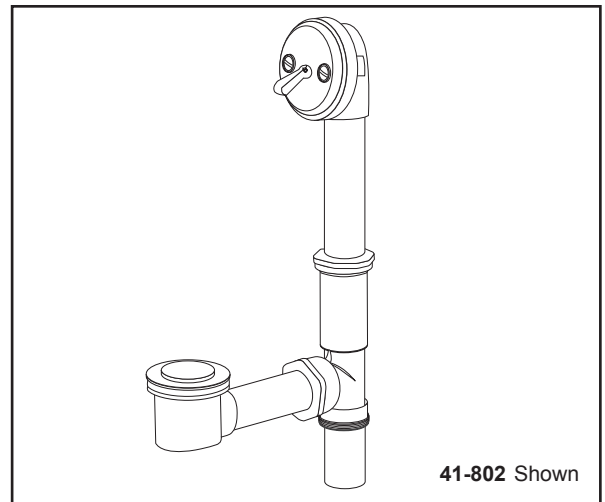
- CSA B125-93

**Catalog Numbers:**

- 41-802** 17 Gauge (Chrome)
- 41-808** 20 Gauge (Chrome)
- 81-817** 17 Gauge (Polished Brass)
- A1-811** 17 Gauge (Biscuit)
- N1-802** 17 Gauge (Brushed Nickel)
- W1-811** 17 Gauge (White)

**Suffixes Available:**

- 70 Female Outlet Tee
- 72 Condensate Head (3/4" Inlet)
- 75 Brass Ferrules
- 76 Retaining Ring (Compliance w/Chicago Code In Special Finishes)
- 77 6" Tailpiece
- 78 10" Tailpiece
- 79 12" Tailpiece
- 88 "Clean-out Here" on Face Plate w/Retaining Ring (Chicago Code Chrome Only)
- 91 Brass Nuts in Place of Brass-Plated Nuts (Std On 17 Ga)



Job Name	
Date	
Model Specified	
Quantity	
Customer	
Contractor	
Architect/engineer	

GERBER®

PROFESSIONAL PERFORMANCE

Gerber Toll Free Technical Support: 888-648-6466  
www.gerberonline.com