



# GERBER

VITREOUS CHINA  
TOILET  
**25-642**

LAVATORIES

TOILETS

BIDETS / URINALS

CAST IRON

## COMMERCIAL Washdown Back Spud Bowl

10" Rough-in

### Features:

- 1.28/1.6gpf compatible (4.8/6.0 Lpf)
- Round Front Bowl
- Siphon Jet
- For Flushometer Valve - Specify 25-642-30 for 2" x 1 1/4" Spud or 25-642-31 for 2" x 1 1/2" Spud
- Large Trapway

### Dimensions:

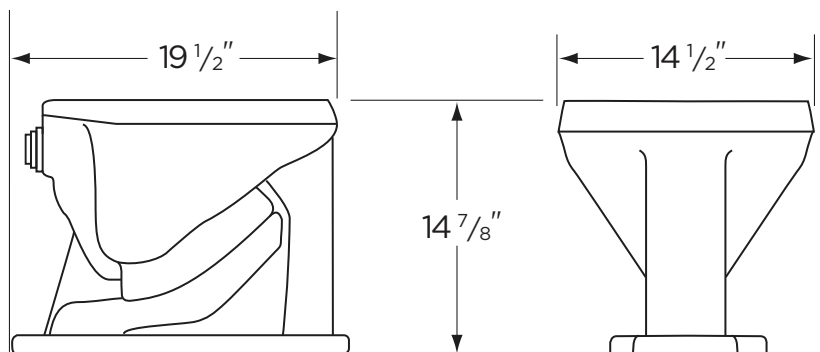
Height .....14 7/8"  
 Width ..... 14 1/2"  
 Depth ..... 19 3/4"  
 Rough-in.....10"  
 Water Surface from Rim ....6 5/8"  
 Trapway (min).....1 1/2"  
 Water Surface ..... 8" x 7"  
 Water Seal ..... 2 1/2"  
 Shipping Weight .....39 lbs



Seat not included

### Warranty

- Limited Lifetime Warranty



RECOMMENDED STATIC WATER PRESSURE FOR PLUMBING FIXTURES IS 20 - 80 PSI STATIC PER ANSI STANDARDS A112.19.2M APPENDIX B.

THIS FIXTURE QUALIFIES ACCORDING TO ASME TEST PROCEDURES AS A HIGH EFFICIENCY WATER CLOSET WITH AN AVERAGE CONSUMPTION OF 1.28 gpf (4.8 Lpf) OR LESS.



HIGH-EFFICIENCY TOILETS

www.gerberonline.com

|                    |  |
|--------------------|--|
| Job Name           |  |
| Date               |  |
| Model Specified    |  |
| Quantity           |  |
| Customer           |  |
| Contractor         |  |
| Architect/engineer |  |

