

SPECIFICATIONS



Features/Benefits

- 2.5 gpm (9.5 L/min) Max Flow @ 80 psi
- 5 Functions: Wide, Centerjet, Aeration, Massage and Wide + Centerjet
- Dual Valve[™] Technology Optimizes Water Flow
- Easy-Glide[™] Selector Ring
- Easy Clean Nozzles
- Integral Check Valve
- Angle and Height Adjustable
- Includes Slide Bar, D469700, Handshower, D462032, and 72" Metal Shower Hose, D469020
- Supply Elbow Sold Separately

Available Color/Finishes

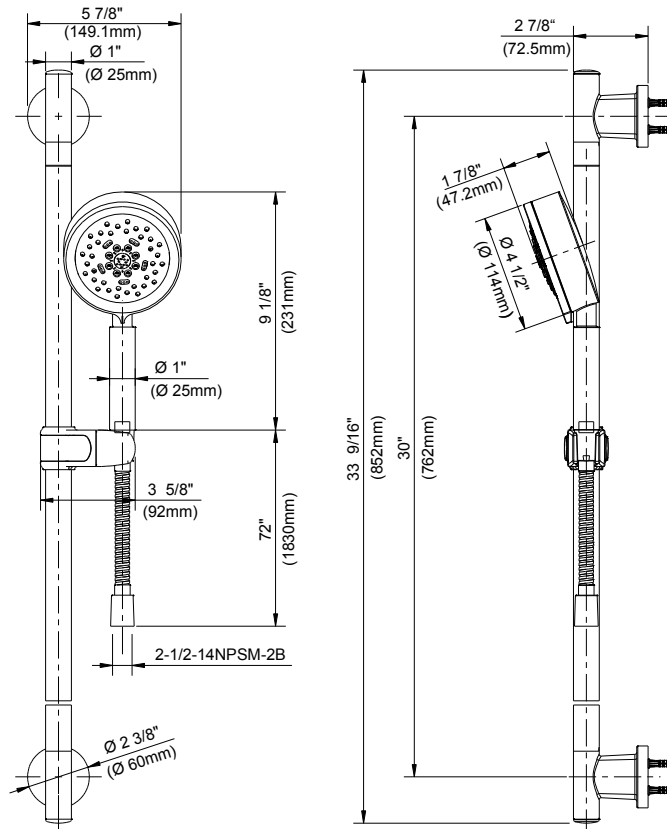
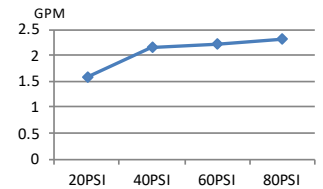
Color	Description
-------	-------------

Chrome
Please see danze.com or current price list for available finishes. Finish is defined by additional suffix.

Standards & Certifications



Flow Rate



Submittal Information:

Name: _____
Location: _____

Contractor: _____
Contact #: _____