



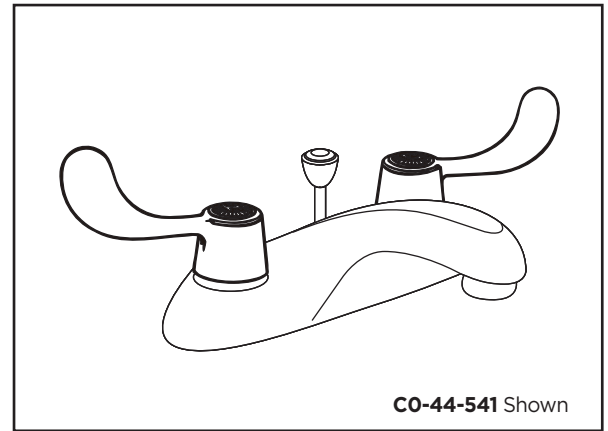
GERBER

CO-44-541 Series Commercial Faucet Two Handle Lavatory Faucet



Features:

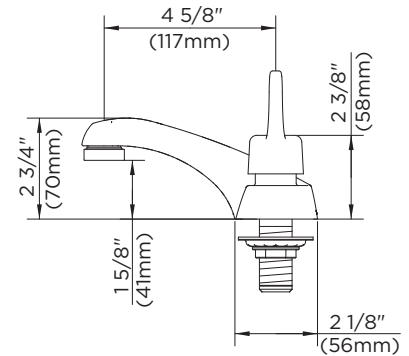
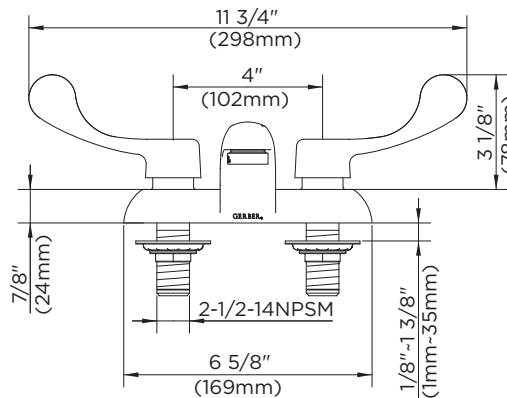
- Cast brass, heavy chrome plated body
- Ceramic disc cartridges G0086986 & G0086987
- Choice of vandal proof lever or wrist blade handles with color coded handle screws
- Vandal proof 0.5 gpm (1.9 L/min) maximum laminar aerator G0097297 @ 60 psi
- Working parts can be easily replaced
- 4" centers for mounting
- Max. 1 3/8" deck thickness
- Lead free waterway per NSF/ANSI 372
- Fully ADA compliant
- Limited lifetime warranty
- Meets CEC requirements



CO-44-541 Shown

Standards & Certifications:

- ASME A112.18.1M
- NSF/ANSI 372
- IAPMO/cUPC
- ICC/ANSI A117.1
- Mass Code
- WaterSense Pending



Catalog Numbers:

- CO-44-541** Wrist Blade Handles, Less Brass Drain Assembly
- CO-44-542** Wrist Blade Handles, With Brass Grid Strainer
- CO-44-551** Wrist Blade Handles, With Metal Pop-up Drain Assembly
- C4-44-541** Metal Lever Handles, Less Brass Drain Assembly
- C4-44-542** Metal Lever Handles, With Brass Grid Strainer
- C4-44-551** Metal Lever Handles, With Metal Pop-up Assembly

Prefixes Available:

- CO = Metal Wrist Blade Handle
- C4 = Metal Lever Handle

Suffixes Available

None

| | |
|--------------------|--|
| Job Name | |
| Date | |
| Model Specified | |
| Quantity | |
| Customer | |
| Contractor | |
| Architect/engineer | |

Gerber Toll Free Technical Support: 888-648-6466
www.gerberonline.com