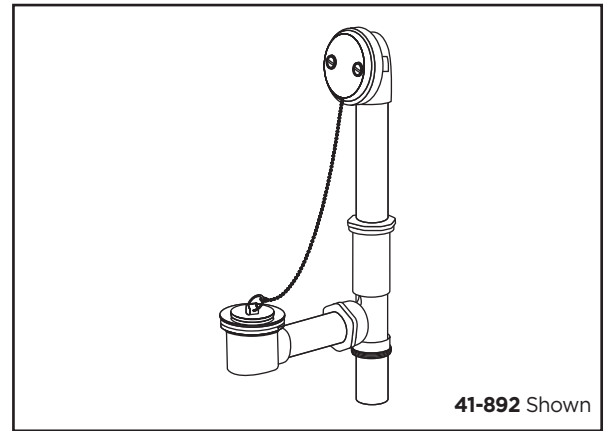




Chain & Stopper Bath Drains

Features:

- Fits most tubs 14" to 16" high
- 1-1/2" brass tubing in 17 and 20 Gauges
- Patented adjustable self-retaining rubber head gasket
- Cast brass shoe plug
- Heavy duty cast red brass head, tee and shoe
- Cast red brass coupling nuts supplied with 17 Gauge Tubing
- Plated zinc coupling nuts supplied with 20 Gauge tubing
- Solid rubber stopper with metal post
- Heavy duty chain
- Partially assembled in carton
- Compartmentalized packaging
- Available in Chrome only



Standards & Certifications:

- ASME A112.18.2M
- CSA B125.2
- IAPMO/cUPC
- MASS Code

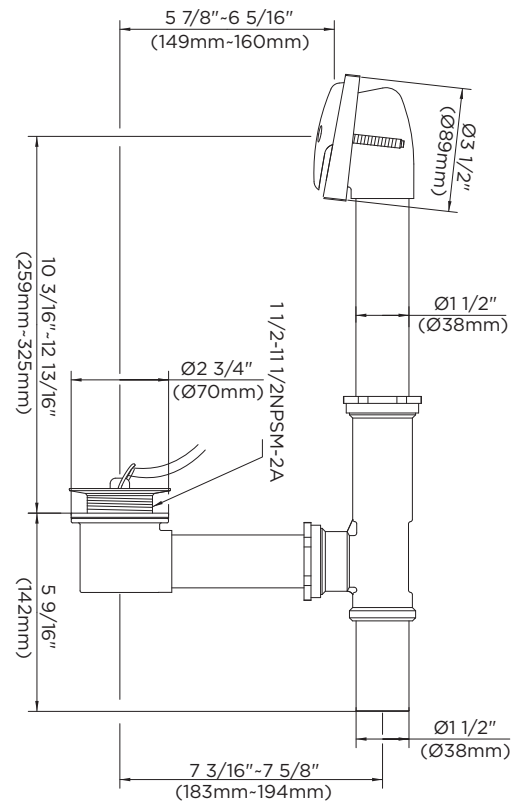
Catalog Numbers:

41-892 17 Gauge (Chrome)

41-898 20 Gauge (Chrome)

Suffixes Available:

None



| | |
|--------------------|--|
| Job Name | |
| Date | |
| Model Specified | |
| Quantity | |
| Customer | |
| Contractor | |
| Architect/engineer | |

Gerber Toll Free Technical Support: 888-648-6466
www.gerberonline.com