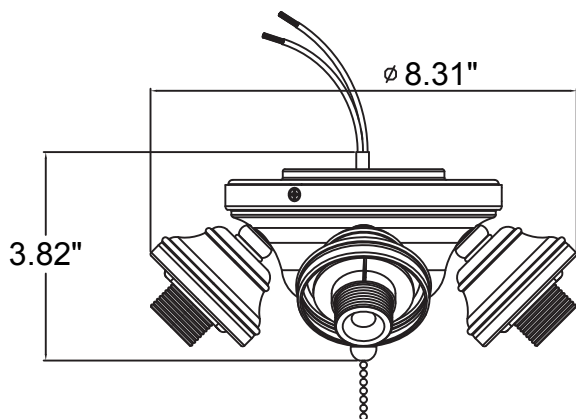


# F8\*\* Light Kit



**Net Hanging Weight: 1.87 lbs**

Available Finishes	
AB	Antique Brass
BL	Black
BN	Brushed Nickel
DZ	Dark Bronze
GR	Matte Greige
MW	Matte White
OB	Oil-Rubbed Bronze

Light Bulb Information (120V)						
Bulb Socket	Bulb Type	Watts	QTY	Lumens Amount	Color Temp	CRI
E12	LED	4	4	1200	2700	90%

## INSTALLATION REQUIREMENTS:

Remove the cover-switch and inner-switch housing from fan and assemble the bracket-switch housing and install the light kit.

## ELECTRICAL REQUIREMENTS:

Requires a grounded electrical supply line of 120 volts AC, 60 Hz, 15 amp circuit.

## LIGHTING BULBS:

Four 4-watt LED bulb included.

## CONTROL:

ON/OFF and dimmable pull chain control.

## GLASS OPTIONS:

Optional G4, G5 and G6 glass— sold separately.

## LOCATION USE:

AB, BN Light Kit is rated for dry locations only,  
BL, DZ, GR, MW, OB Light kit is rated for dry and damp locations.