

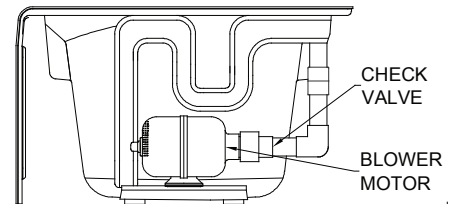
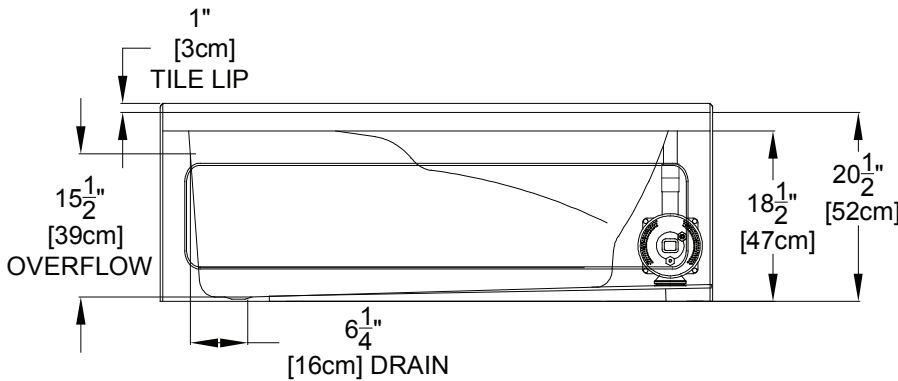
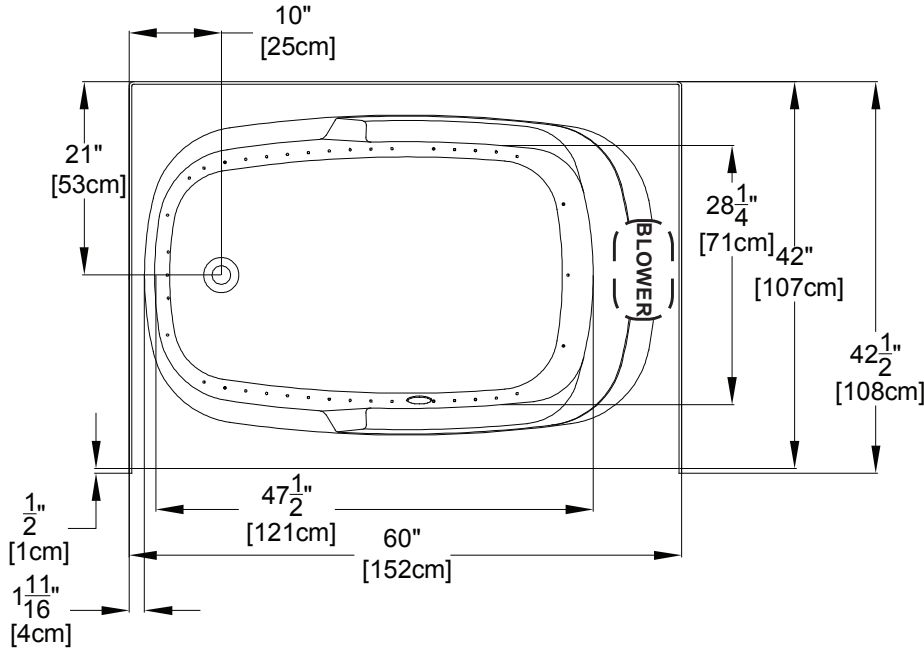
EXCEL™

BY JASON®

8328 MacArthur Drive
 North Little Rock, AR 72118-2199
 501.771.4477 • Fax: 501.771.2333
 Customer Service: 800.255.5766
 www.jasoninternational.com

Excel™ Series Specifications

Air Bath - JAB4260 SL/SR




Available in End Access (Installer Provided)
 or Front Access (Factory Provided Removable Panel)

Patents received or pending.

Note: Dimensional Tolerances: ±1/4"

Drop-in-Hole Size:	NA
Operating Capacity:	44 Gal.
Overflow Capacity:	65 Gal.
Floor Loading / sq.ft.:	47.0 lbs.
Carton Weight:	142 lbs.
Cube:	36.2 ft. ³

Air Switch Control



Includes a quiet, 120v, 3/4HP, variable speed air blower with an integral air heater, 20-minute timer and automatic purge cycle. Air switch operates the on/off and speed functions of the blower. Requires (1) 15A, 120v GFCI protected circuit.

Construction: Reinforced Acrylic shell mounted on pre-leveled full support base.

We provide products listed with Intertek ETL SEMKO (Edison Testing Laboratories) U.S. and Canadian and with International Association of Plumbing and Mechanical Officials (IAPMO). Consult factory with your listing requirements.