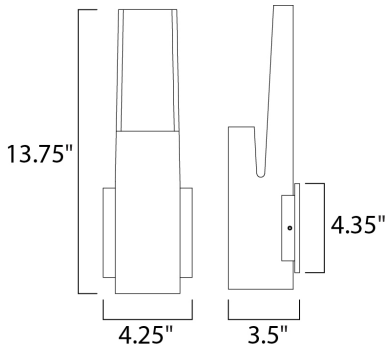




**PRODUCT DESCRIPTION**

Bring the outdoors inside with our line of Architectural high quality interior and exterior wall sconces. European in design and machined out of blocks of solid Aluminum, these sconces have both the look and quality expected for the discriminate buyer. High powered LEDs create dramatic light effects and most are approved for wet location applications.



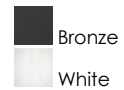
**MEASUREMENTS**

DIMENSION : 4.25" W x 13.75" H x 3.5" Ext  
 BACK PLATE : 4.35" W x 4.35" H x 11.75" HCO  
 HANGING WEIGHT : 3.74 lb

**LAMPING**

LUMENS : 560 Rated (503 Del.)  
 BULB : 1 x 4W LED PCB Integrated , 4W Total  
 BULB INCLUDED : (Integrated)  
 DIMMABLE : Electronic Low Voltage (ELV)  
 CRI : 90+ CRI  
 COLOR\_TEMP : 3000K  
 LIGHTING\_DIRECTION : Up/Dn

**FINISHES OPTION**



**MATERIAL**

Aluminum

**RATINGS**

cETLus  
 Wet Location  
 For Outdoor  
 ADA



**ADDITIONAL**

INSTALL UP/DOWN: Up  
 OPERATING TEMPERATURE:  
 -20°C (-4°F), 40°C (104°F)

Always consult a qualified electrician before installing any lighting product.



Contemporary  
 Lighting™

**WESTERN DISTRIBUTION CENTER (HEADQUARTER)**  
 253 NORTH VINELAND AVE | CITY OF INDUSTRY, CA 91746

**EASTERN DISTRIBUTION CENTER**  
 4200 SHIRLEY DR. | ATLANTA, GA 30336

P. 626.956.4200 | F. 626.956.4225 | et2online.com