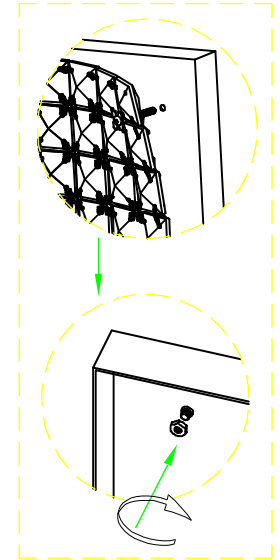
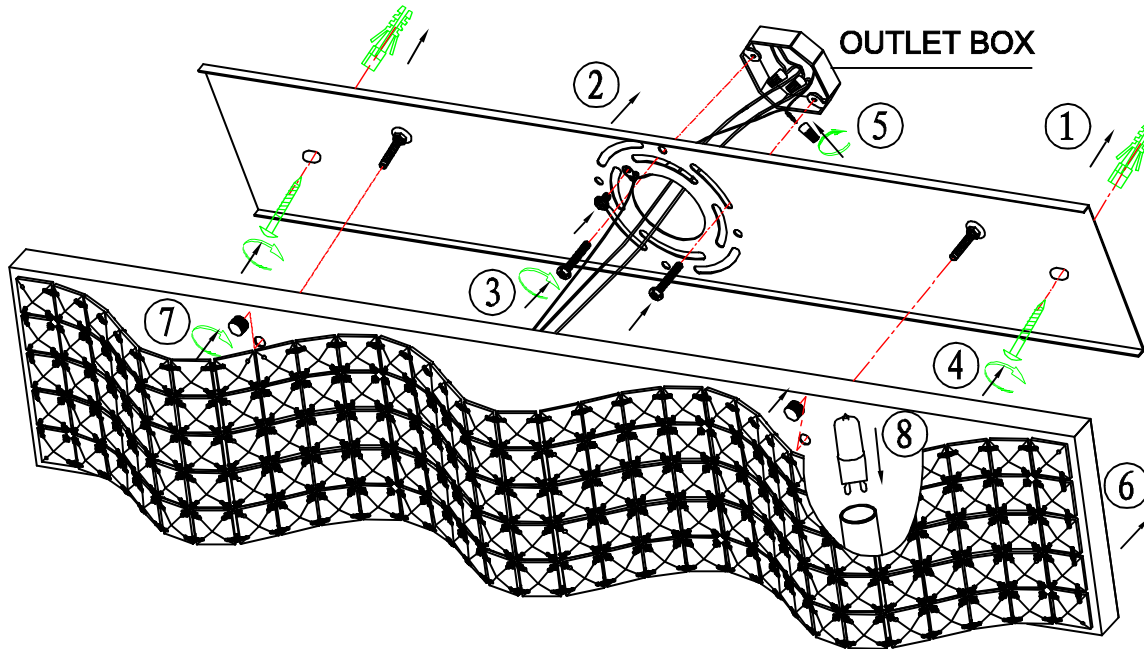


INSTALLATION INSTRUCTION

Item No.: E24277-20PC



FEATURE

- Lamp Type: "Xenon"G9 3×MAX 40W 120V ~ 60HZ
- The lamp is for indoor use only