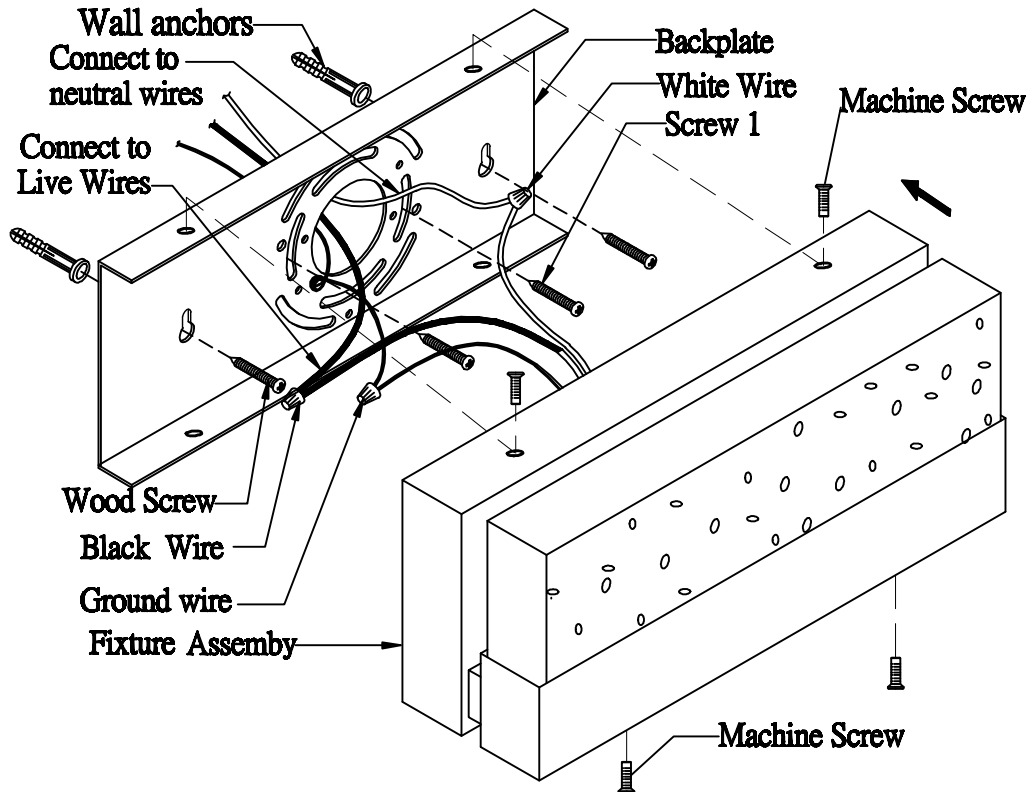


Diagram A



Turn off power at breaker for outlet fixtures is being installed to.

1. Install backplate to outlet box.
2. Mark for holes for wall anchors
3. Remove backplate from outlet box
4. Drill 3/16" holes at marked locations
5. Insert wall anchors into drilled holes
6. Re-install backplate to outlet box, secure with screw 1
7. Insert wood screws into wall anchors and tighten to secure
8. Wire fixture assembly per diagram B
9. Install fixture assembly to backplate and secure using machine screws, metal washer and rubber washer on top and bottom.
10. Install Bubble Glass to fixture

Diagram B

