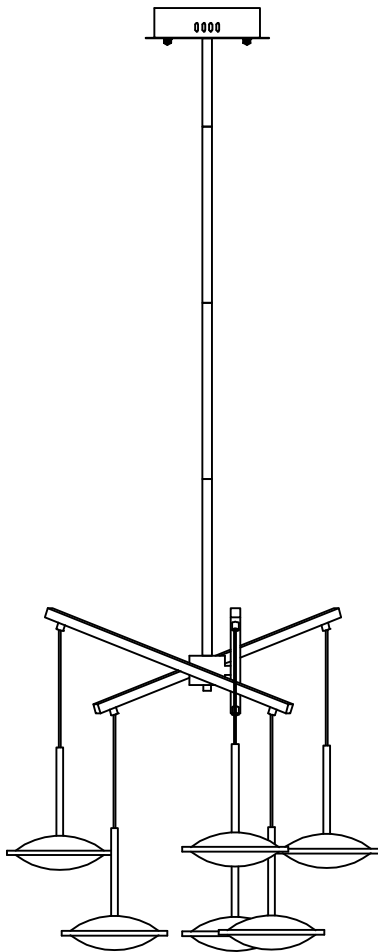


# Contemporary Lighting

PRODUCT NAME: Saucer

ITEM NUMBER: E21546-90GLDBK

Please consult your electrician for hanging fixture and wiring.



The fixture is designed to dim with a standard Triac forward phase dimmer. Dimming levels will vary by dimmer.

Below is a list of recommended dimmers:

Lutron MACL-153M

Lutron DVL-153P

Lutron SCL-153P

Leviton IPL06-10Z

Leviton 6674-POW

Due to inrush current wattage should not exceed 150 watts of product for a 600 watt dimmer.

**Warning!** Wires need to be connected to driver found in canopy and should not be connected directly to power source or a short may occur.

Bulb(integrated):LED 53W

**IMPORTANT: Turn off the power at the main fuse or circuit breaker box before starting installation**

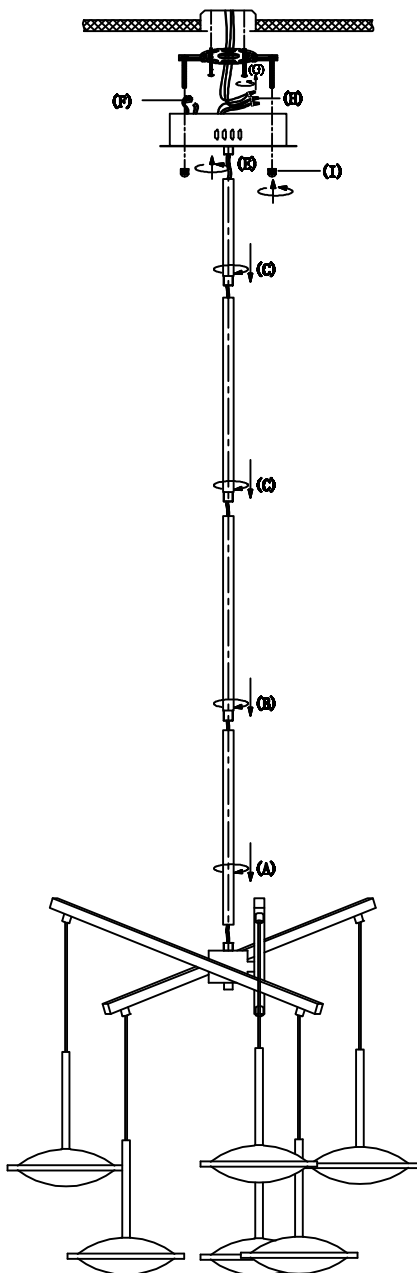


(A)  
Mounting Bracket

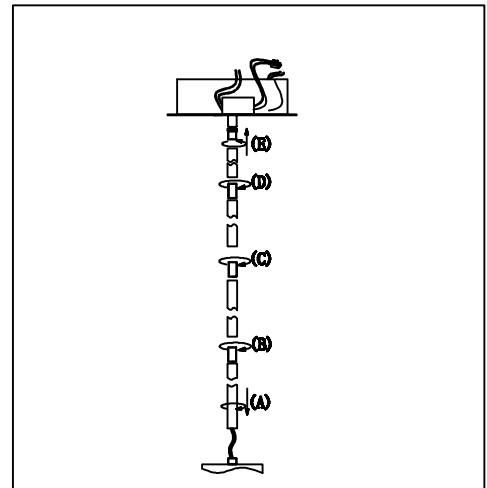


(E)  
Finial

**Locate all hardware & components before discarding packaging**

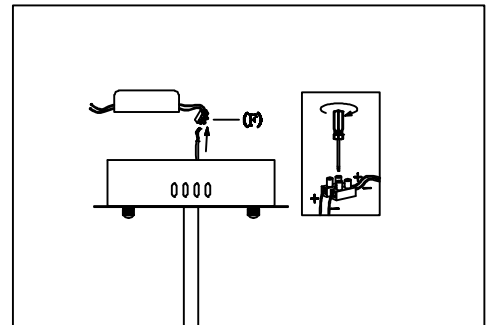


1.)



**Step.1: Run wire through stems and combine stem lengths to meet desired mounting height.**

2.)



**Step.2: Wire fixture wires to wire terminal found in canopy. These are low voltage and should not be connected to supply wires in outlet box.**

**Cleaning & Care:**

Clean with soft cloth and a mild detergent.  
Do not use abrasive cleaner.

**IMPORTANT: Turn off the power at the main fuse or circuit breaker box before starting installation**

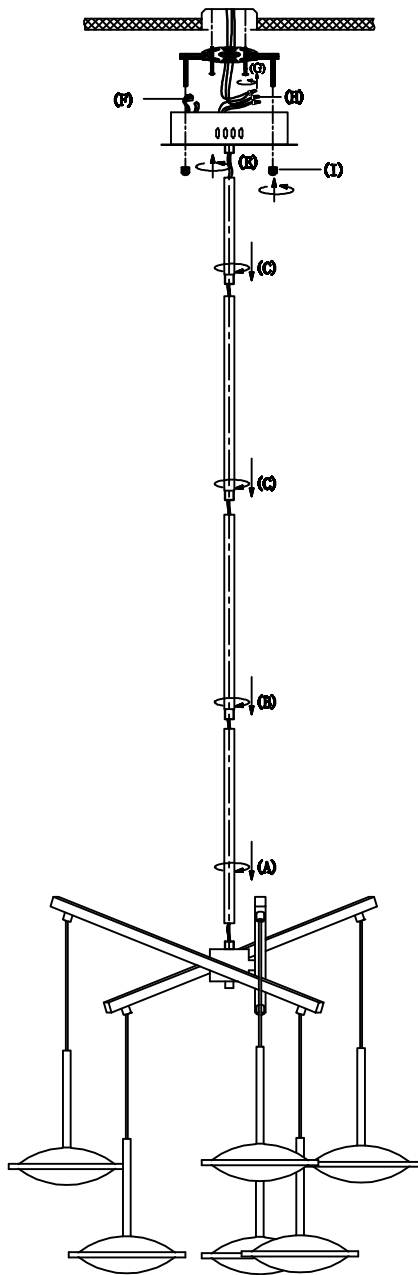


(A)  
Mounting Bracket

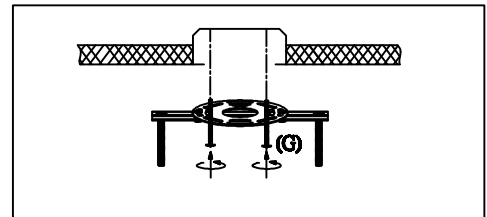


(E)  
Finial

**Locate all hardware & components before discarding packaging**

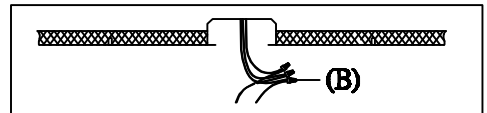


3.)



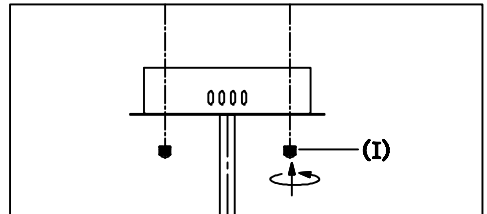
**Step.3: Remove mounting bracket (G) from fixture and install to electrical box.**

4.)



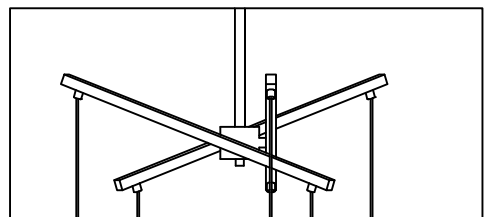
**Step.4: Wire driver black/white wire to wires (B) in outlet box. Copper wire is for Ground.**

5.)



**Step.5: Adjust wire length to desired mounting height, and tighten strain relief screws to secure. Install fixture to bracket and tighten finials (I) at the ends of the canopy to secure.**

6.)



**Step.6: Adjust the arms to the desired configuration and tighten allen screw to secure position.**

**Cleaning & Care:**

Clean with soft cloth and a mild detergent.  
Do not use abrasive cleaner.