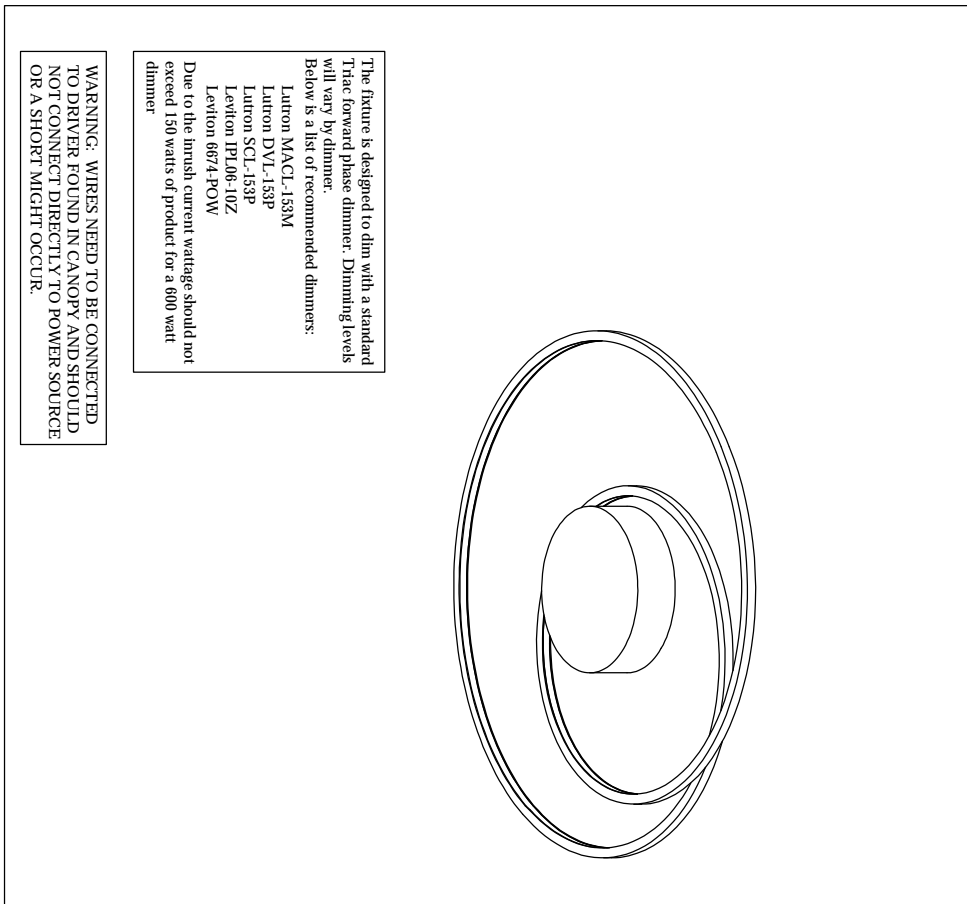




PRODUCT NAME: Cycle LED Flush Mount
ITEM NUMBER: E21320-MS

Please consult your electrician for hanging fixture and wiring.



The fixture is designed to dim with a standard three forward phase dimmer. Dimming levels will vary by dimmer.
Below is a list of recommended dimmers:

- Lutron MACL-153M
- Lutron DVL-153P
- Lutron SCL-153P
- Lutron IPL06-10Z
- Leviton 6674-POW

Due to the inrush current wattage should not exceed 150 watts of product for a 600 watt dimmer

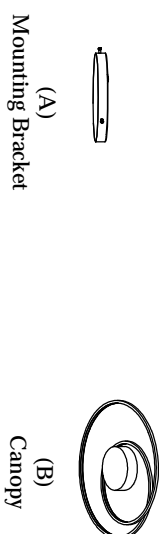
WARNING: WIRES NEED TO BE CONNECTED TO DRIVER FOUND IN CANOPY AND SHOULD NOT CONNECT DIRECTLY TO POWER SOURCE OR A SHORT MIGHT OCCUR.

PRODUCTS ARE NOT INTENDED FOR COMMERCIAL USE.

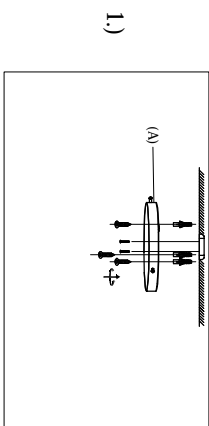
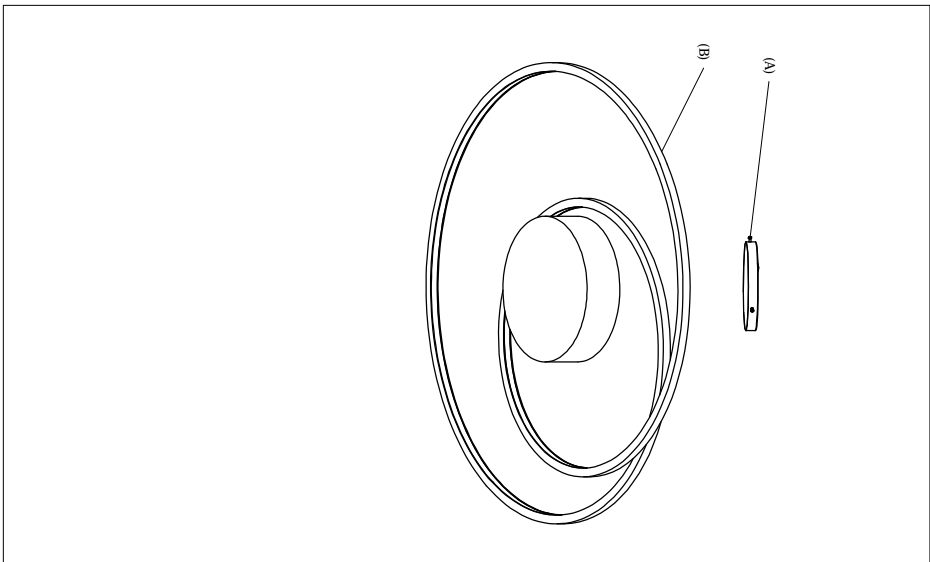
33W LED

MADE IN CHINA
Page 1 of (2)

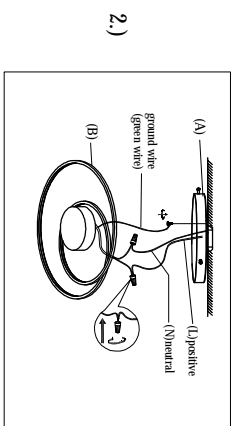
IMPORTANT: Turn off the power at the main fuse or circuit breaker box before starting installation



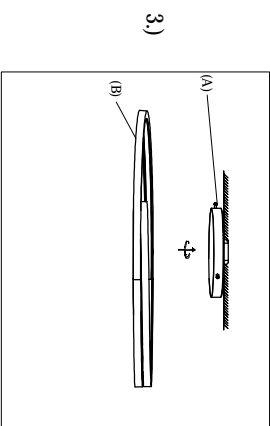
Locate all hardware & components before discarding packaging



1.) Step 1: Remove Bracket (A) from fixture and install to electrical box.



2.) Step 2: Wire fixture to wires in outlet box. Install Green wire to Ground Screw.



3.) Step 3: Install Body (B) to Canopy (A) and tighten screws on the sides of the canopy to secure.

Cleaning & Care:
Clean with soft cloth and a mild detergent.
Do not use abrasive cleaner.

Page 2 of (2)