

PRODUCT SPECIFICATIONS

Elkay Lustertone™ Stainless Steel 33" x 22" x 5", Equal Double Bowl Top Mount ADA Sink. Sink is manufactured from 18 gauge 304 Stainless Steel with a Lustertone finish, Rear Center drain placement, and Bottom only pads.

| | |
|------------------------------|--|
| Installation Type: | Top Mount |
| Material: | 304 Stainless Steel |
| Finish: | Lustertone |
| Gauge: | 18 |
| Sound Deadening: | Bottom only pads |
| Number of Bowls: | 2 |
| Sink Dimensions: | 33" x 22" x 5" |
| Bowl 1 Dimensions: | 13-1/2" x 16" x 4-5/8" |
| Bowl 2 Dimensions: | 13-1/2" x 16" x 4-5/8" |
| Drain Size: | 3-1/2" (89mm) |
| Drain Location: | Rear Center |
| Minimum Cabinet Size: | 36" |
| Mounting Hardware: | Part # 64090014 included for countertops up to 3/4" (19mm) thick |
| Cutout Template #: | 1000001189 |

Template is available for download at [elkay.com](#)

Cutout Dimensions for Top Mount Installation:

32-3/8" x 21-3/8" (822mm x 543mm) with 1-1/2" (38mm) corner radius



AMERICAN PRIDE. A LIFETIME TRADITION.
Like your family, the Elkay family has values and traditions that endure. For almost a century, Elkay has been a family-owned and operated company, providing thousands of jobs that support our families and communities.



Product Compliance: ADA & ICC A117.1
ASME A112.19.3/CSA B45.4
BUY AMERICAN ACT



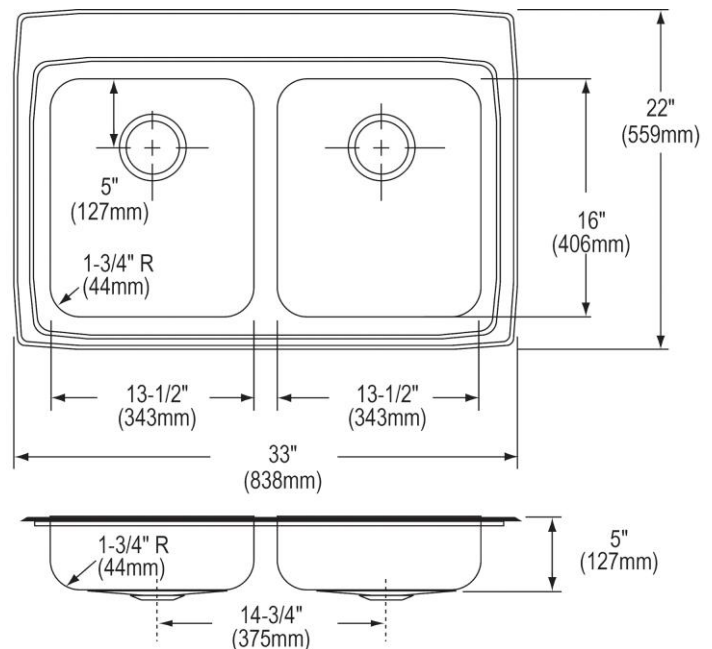
Sinks are listed by IAPMO® as meeting the applicable requirements of the Uniform Plumbing Code®, International Plumbing Code®, and National Plumbing Code of Canada.



Complies with ADA & ICC A117.1 accessibility requirements when installed according to the requirements outlined in these standards.

[Clean and Care Manual \(PDF\)](#)
[Installation Instructions \(PDF\)](#)
[Limited Lifetime Warranty \(PDF\)](#)

Similar models are available with: Quick-Clip Mounting System, additional ADA depths

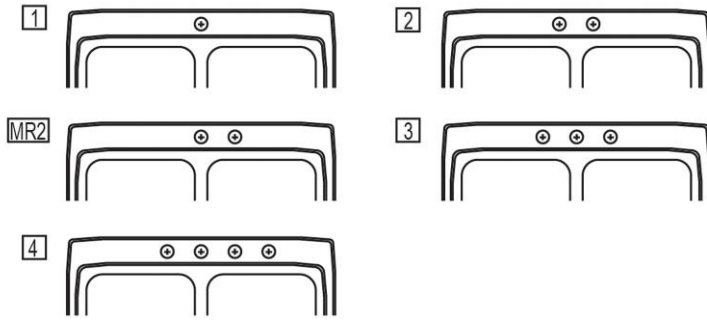


PART: _____ QTY: _____
PROJECT: _____
CONTACT: _____
DATE: _____
NOTES: _____
APPROVAL: _____

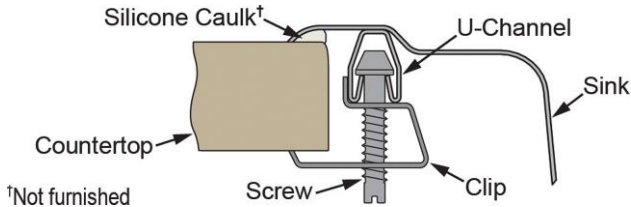
In keeping with our policy of continuing product improvement, Elkay reserves the right to change product specifications without notice. Please visit [elkay.com](#) for the most current version of Elkay product specification sheets. This specification describes an Elkay product with design, quality, and functional benefits to the user. When making a comparison of other producers' offerings, be certain these features are not overlooked.

Hole Drilling Configurations:

1-1/2" (38mm) Diameter Faucet Holes on 4" (102mm) Centers



Installation Profile:



OPTIONAL ACCESSORIES

| | |
|------------------------|-------------------------|
| Bottom Grid: | LKWOBG1316SS |
| Cutting Board: | CB1613, CB1713, CBS1316 |
| Drain: | LK99, LKAD35 |
| Faucet: | LKGT1041, LKGT2041 |
| Hardware: | LK364, LK463 |
| Rinsing Basket: | LKW RB1316SS, LKWERBSS |
| Sinkmate: | LKSMHSL |
| Soap Dispenser: | LKGT1054 |

In keeping with our policy of continuing product improvement, Elkay reserves the right to change product specifications without notice. Please visit elkay.com for the most current version of Elkay product specification sheets. This specification describes an Elkay product with design, quality, and functional benefits to the user. When making a comparison of other producers' offerings, be certain these features are not overlooked.