

**PRODUCT SPECIFICATIONS**

Elkay 8in Centerset Exposed Deck Mount Faucet 44in Flexible Hose w/1.2 GPM Spray Head 2in Lever Handles 1.2 GPM Spray Head. Faucet has a flow rate of 1.2 GPM, and is made of Chrome-plated Brass material, with a Quarter Turn Ceramic Disc valve. Faucet requires 3 faucet holes.

<b>Mounting Type:</b>	Wall Mount
<b>Special Features:</b>	Low Flow Solid Brass Construction
<b>Spray Type:</b>	Pre Rinse
<b>Finish:</b>	Chrome (CR)
<b>Handle Type:</b>	Lever Handle
<b>Spout Reach:</b>	30"
<b>Spout Height:</b>	41-1/8"
<b>Hole Drillings:</b>	3
<b>Material:</b>	Chrome-plated Brass
<b>Valve Type:</b>	Quarter Turn Ceramic Disc
<b>Valve Connection:</b>	1/2"-14 NPT
<b>Flow Rate:</b>	1.2 GPM
<b>Faucet Hole Spread:</b>	8
<b>Spout Swing Rotation:</b>	360°
<b>Spout Type:</b>	Flexible Spout

**Special Note:** 1.2 GPM spray head



Chrome  
(CR)

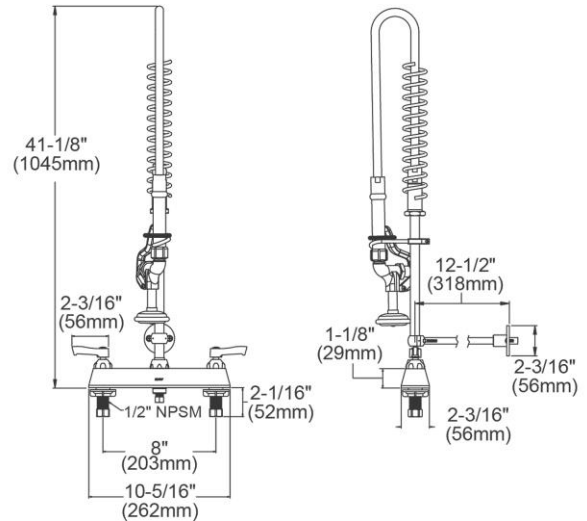


AMERICAN PRIDE. A LIFETIME TRADITION. Like your family, the Elkay family has values and traditions that endure. For almost a century, Elkay has been a family-owned and operated company, providing thousands of jobs that support our families and communities.

**Product Compliance:** ADA & ICC A117.1  
ASME A112.18.1/CSA B125.1  
NSF 61  
NSF 372 (lead free)



[Clean and Care Manual \(PDF\)](#)  
[Installation Instructions \(PDF\)](#)  
[Warranty \(PDF\)](#)



PART: \_\_\_\_\_ QTY: \_\_\_\_\_

PROJECT: \_\_\_\_\_

CONTACT: \_\_\_\_\_

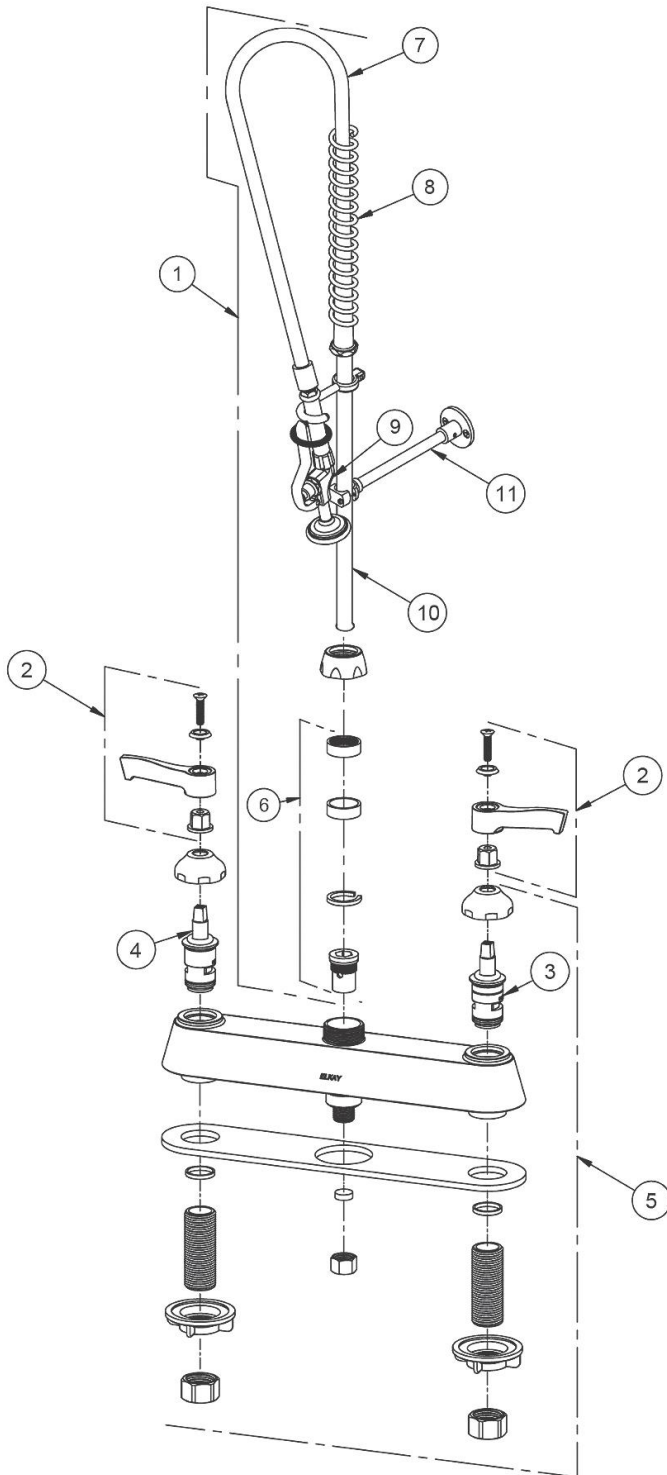
DATE: \_\_\_\_\_

NOTES: \_\_\_\_\_

APPROVAL: \_\_\_\_\_

*In keeping with our policy of continuing product improvement, Elkay reserves the right to change product specifications without notice. Please visit [elkay.com](http://elkay.com) for the most current version of Elkay product specification sheets. This specification describes an Elkay product with design, quality, and functional benefits to the user. When making a comparison of other producers' offerings, be certain these features are not overlooked.*

ITEM	IND. PART	DESCRIPTION
1	45947C	Pre-Rinse Assembly Low Flow
2	45918C	Handle, 2"
3	45923C	Right Cold Cartridge
4	45924C	Left Hot Cartridge
5	98554C	Backflow Kit
6	45915C	Body
7	45943C	44" Hose
8	45944C	Spring
9	45942C	Spray Valve
10	45945C	Tall Riser
11	45946C	Support Rod



*In keeping with our policy of continuing product improvement, Elkay reserves the right to change product specifications without notice. Please visit [elkay.com](http://elkay.com) for the most current version of Elkay product specification sheets. This specification describes an Elkay product with design, quality, and functional benefits to the user. When making a comparison of other producers' offerings, be certain these features are not overlooked.*