



see what Delta can do™

HAND SHOWER

■ 4-Spray Setting Wall Mount Hand Shower

FEATURES:

- H₂Okinetic Technology®
- Touch-Clean® Nozzles

STANDARD SPECIFICATIONS

- Max flow rate 1.75 gpm @ 80 psi, 6.6 L/min @ 550 kPa
- Hand held shower with four spray patterns - pause is a non-positive shut-off
- 60" (1524 mm) metal extendable hose
- Certified dual check valves

WARRANTY

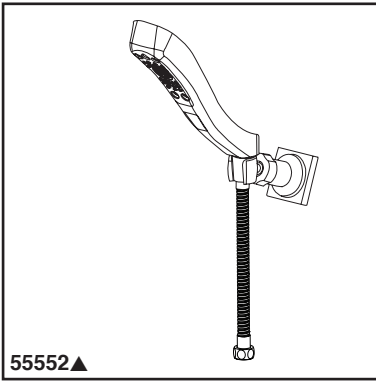
- Parts and Finish - Lifetime limited warranty; or for commercial purchasers, 10 years for multi-family residential (apartments and condominiums) and 5 years for all other commercial uses, in each case from the date of purchase.
- Electronic Parts and Batteries (if applicable) - 5 years from the date of purchase; or for commercial purchasers, 1 year from the date of purchase. No warranty is provided on batteries.



COMPLIES WITH:

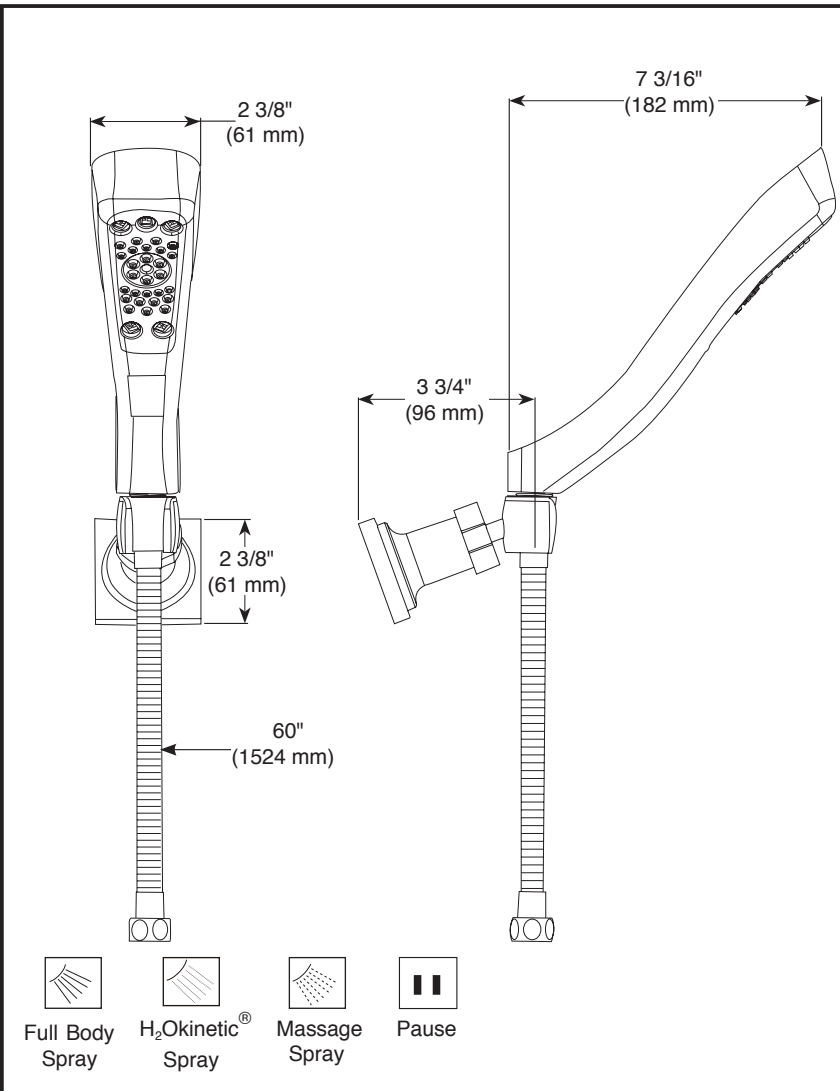
- ASME A112.18.1 / CSA B125.1 ◆
- ASME A112.18.3
- EPA WaterSense®

- ◆ Your Delta Faucet hand shower incorporates a backflow protection system that has been tested to be in compliance with ASME A112.18.3 and ASME A112.18.1/CSA B125.1. It incorporates two certified check valves in series, which operate independently and are integral, non-serviceable parts of the wand assembly.



Submitted Model No.: _____

Specific Features: _____



▲ Designate proper finish suffix

Delta reserves the right (1) to make changes in specifications and materials, and (2) to change or discontinue models, both without notice or obligation. Dimensions are for reference only. See current full-line price book or www.deltafaucet.com for finish options and product availability.

Delta Faucet Company

55 E. 111th Street, Indianapolis, IN 46280
350 South Edgeware Road, St. Thomas, ON N5P 4L1
© 2019 Delta Faucet Company