

Model# 0376

Drinking Faucet-Head

FEATURES & SPECIFICATIONS

- 3/8-18 NPS Female Thread
- Less Stream Control

FINISHES

- PC Polished Chrome

STANDARDS

- ASME A112.18.1
- ANSI / NSF 61, SECTION 9
- CUPC / IAPMO LISTED



WARRANTY

- Lifetime Limited Warranty
- Lifetime Residential Warranty
- 5 Year Commercial Warranty

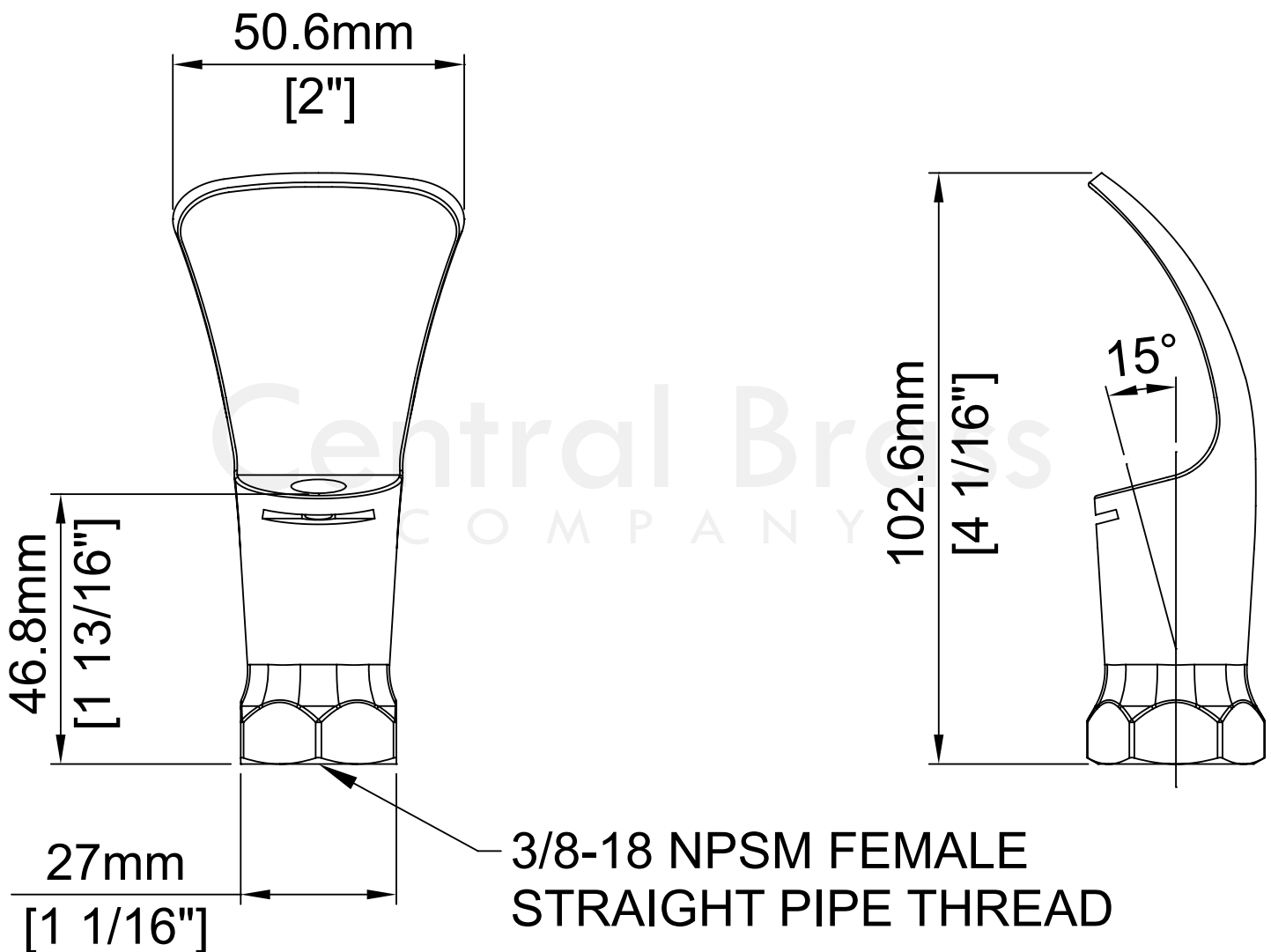
0376/REV. 11 2016

Product Specifications subject to change without notice

Job Name _____ Date _____
Model Specified _____ QTY _____
Customer/Wholesaler _____
Contractor _____
Architect/Engineer _____
Submitted as Shown _____
Submitted w/ Variations _____

Model# 0376

Drinking Faucet-Head



0376/REV. 11 2016

Product Specifications subject to change without notice