



California Faucets®

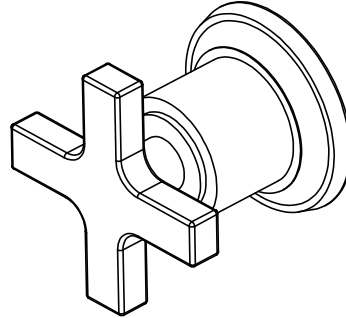
RINCON BAY

WALL OR DECK HANDLE TRIM

TO-45X-W

Features

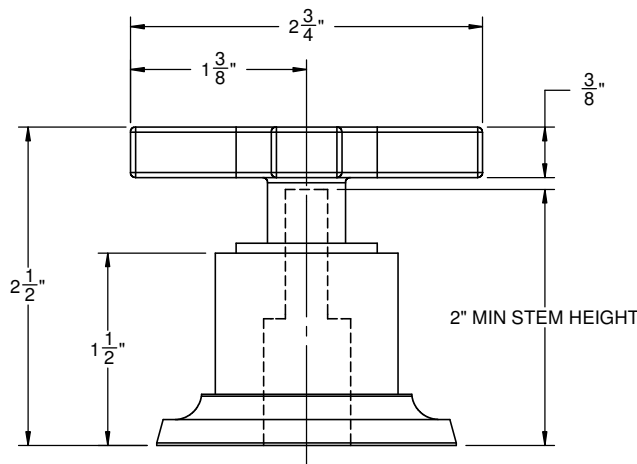
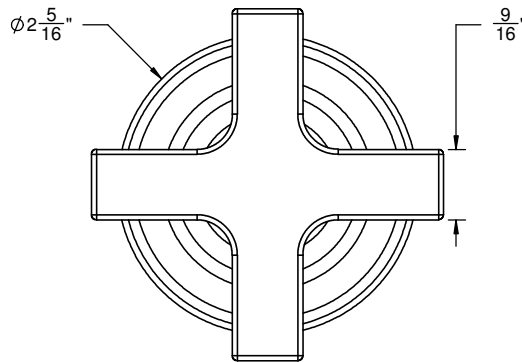
- Base diameter 2-5/16"
- Use for wall stop, wall diverter, or deck diverter
- Rough valve sold separately (50-W-R, 75-W-R, WDV-R, DDV-R)
- Solid brass construction
- Over 30 finishes including 15 PVD finishes



Codes/Standards Applicable

Meets or exceeds the following at date of manufacture:

- ASME A112.18.1/CSA B125.1



THROUGH-HOLE SPECIFICATIONS

MIN	RECOMMENDED	MAX
VALVE: $\phi 11/16$ "	$\phi 1-1/4$	$\phi 1-5/8$ "