



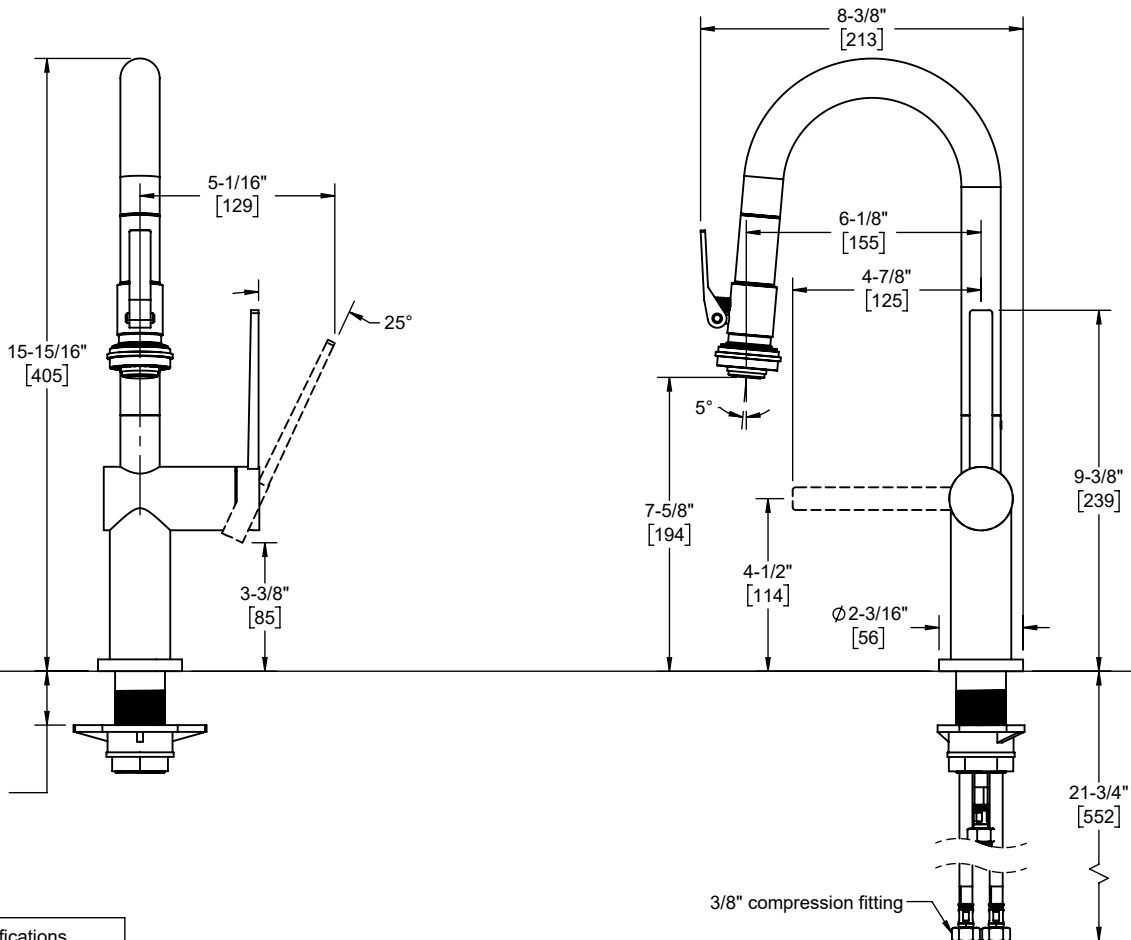
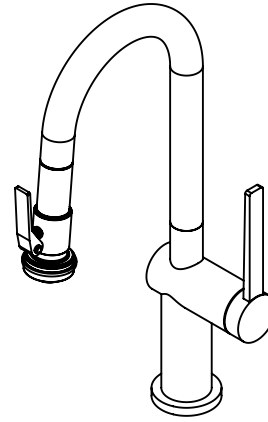
#### Features

- Available in 28 finishes including 13 PVD finishes
- All brass construction including sprayhead
- 360° rotating spout
- PDS™ "Positive Docking System" secures sprayhead
- Squeeze lever activates spray mode
- Spray jets have easy-to-clean surface
- Quiet polymer-braided hose with rotating joint
- Ceramic disc cartridge
- Max flow rate: 1.8 gpm (6.8 L/min)

#### Codes/Standards Applicable

Product meets or exceeds the following:

- ASME A112.18.1/CSA B125.1
- NSF 61, NSF 372, CEC, & DOE
- Commonwealth of MA
- ADA compliant



#### Through-Hole Specifications

Min	Recommended	Max
Ø 1-3/8" [35]	Ø 1-3/8" [35]	Ø 1-5/8" [41]