



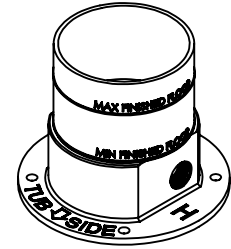
California Faucets® ROUGH VALVE FOR SINGLE-HOLE FLOOR MOUNT TUB FILLER

TUB FILLER

Features

- Forged rough provides solid support for installation in concrete or wood subflooring
- $\phi 5\text{-}1/2"$ [140] rigid base with pre-drilled screw holes to mount to underlying concrete & wood framing
- 1/2" NPT female inlets
- Includes mudguard & test plug

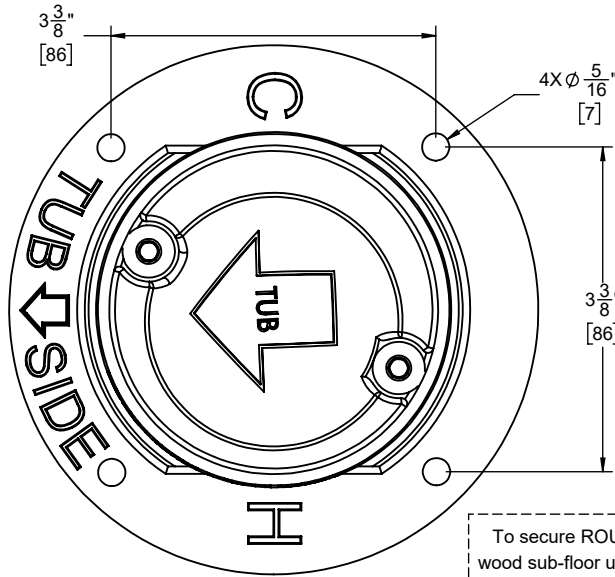
9511



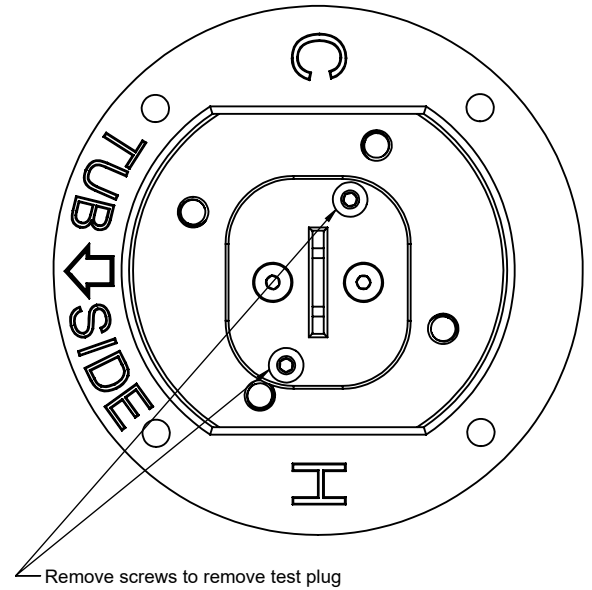
Codes/Standards Applicable

- Meets or Exceeds the following:
- ASME A112.18.1/CSA B125.1

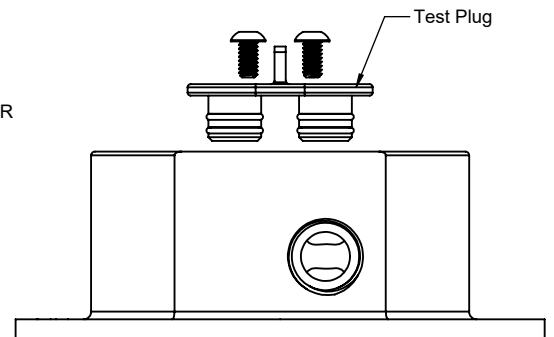
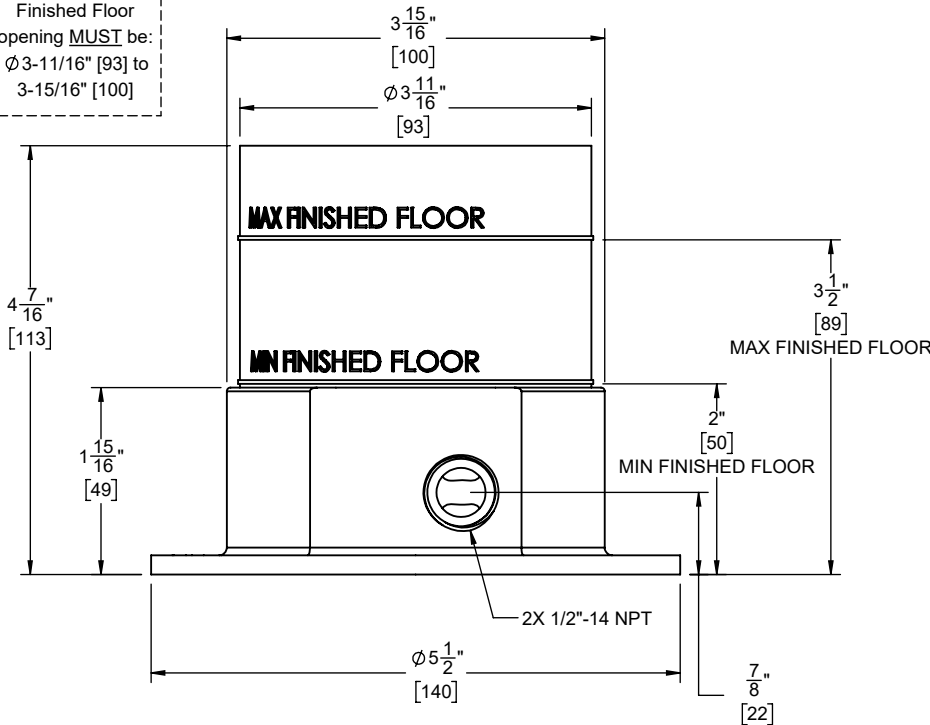
For use with
0911-XX.FR
1011-XX.FR
1111-XX.FR
1211-XX.FR
1311-XX.FR
1411-XX.FR
7711-XX.FR
8511-XX.FR
8511-XXB.FR
8511-XXW.FR
8611-XX.FR
8611-XXB.FR
8611-XXW.FR



To secure ROUGH to wood sub-floor use wood screws 1/4" X 1-1/4" min length



IMPORTANT
Finished Floor opening **MUST** be:
 $\phi 3\text{-}11/16"$ [93] to
 $3\text{-}15/16"$ [100]



SPECIFICATIONS SUBJECT TO CHANGE WITHOUT NOTICE

ALL DIMENSIONS SHOWN TO NEAREST 1/16"
[ALL DIMENSIONS SHOWN TO NEAREST 1MM]"