



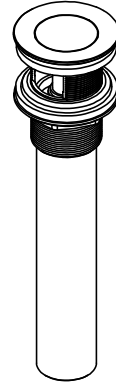
Features

- Over 30 finishes including 12 PVD finishes
- All brass construction (including plunger mechanism)
- "Touch"-style pop up for faucets with no lift rod/knob
- Available with or without overflow

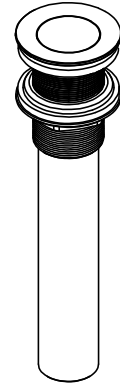
Codes/Standards Applicable

Meets or exceeds the following at date of manufacture:

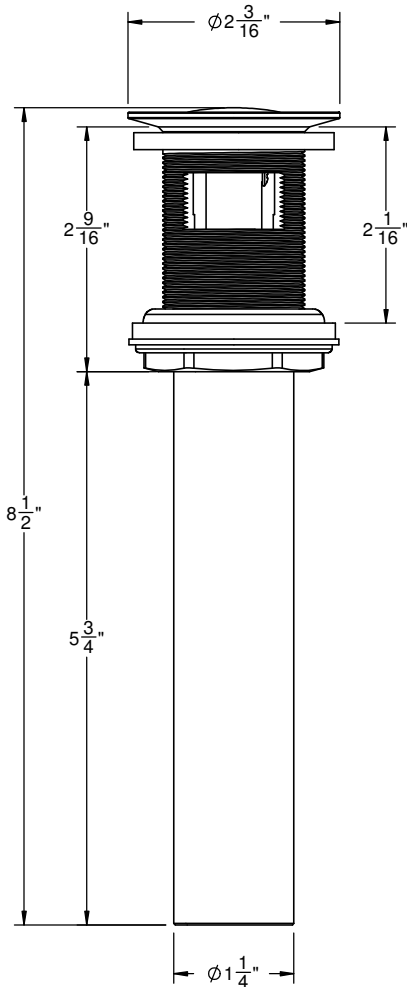
- ASME A112.18.CSA B125.



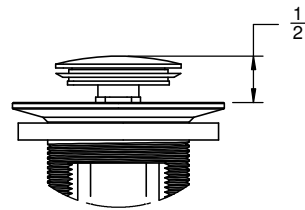
9050-ZZ



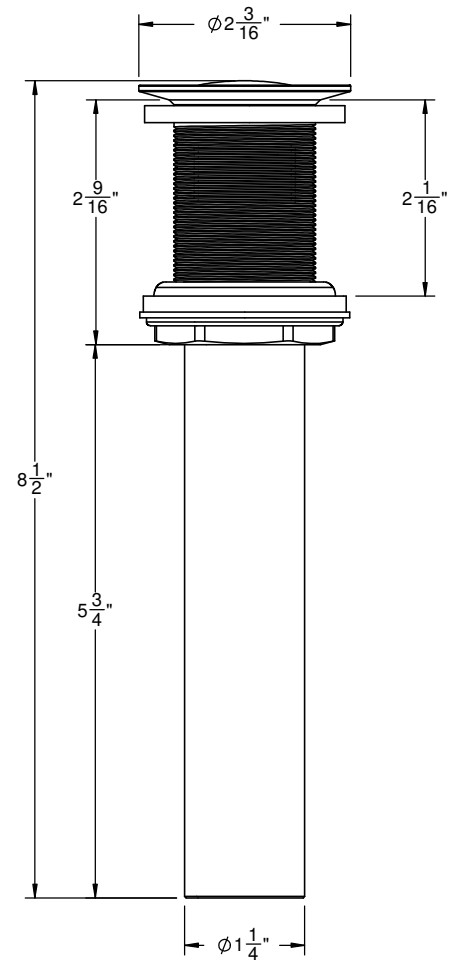
9050L-ZZ



9050-ZZ
(with overflow)



OPEN POSITION



9050L-ZZ
(less overflow)

ALL DIMENSIONS SHOWN TO NEAREST 1/16"