



Features

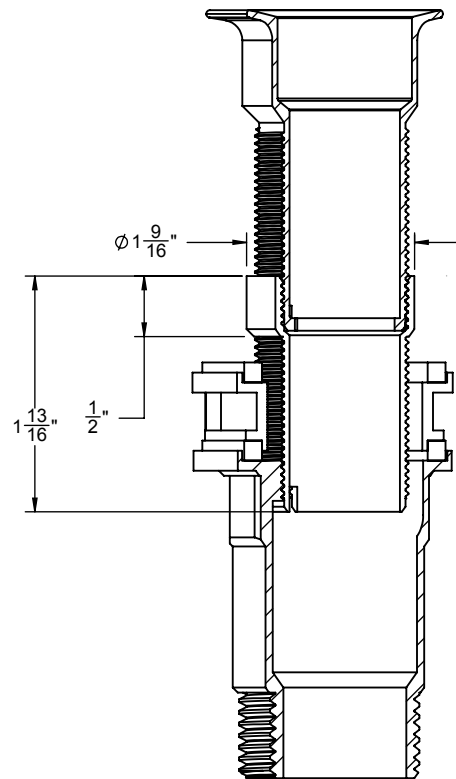
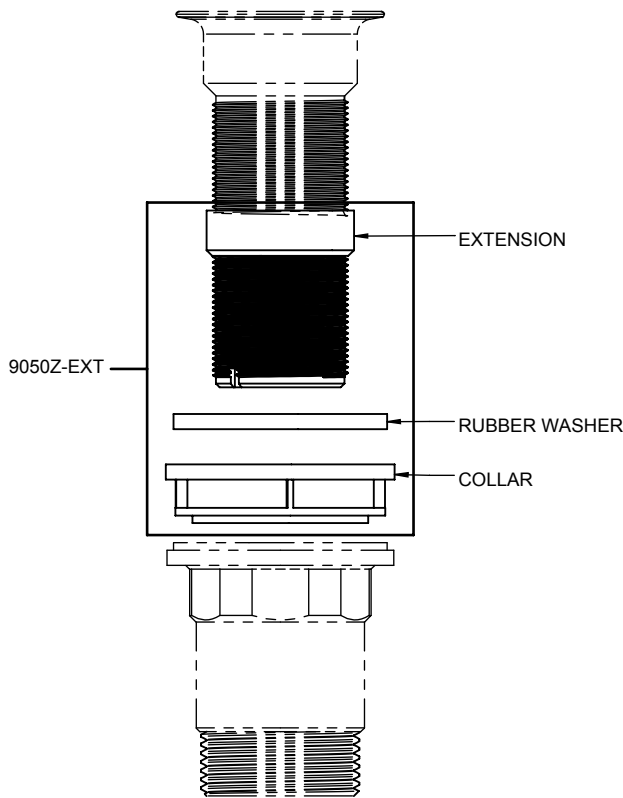
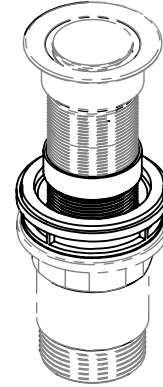
- Extension for thick sink and countertop application
- Extends maximum thickness by 1-1/4"
- May stack multiple extensions based on sink/counter thickness
- Solid brass construction

Codes/Standards Applicable

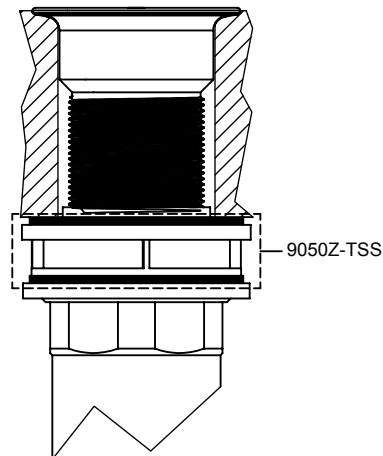
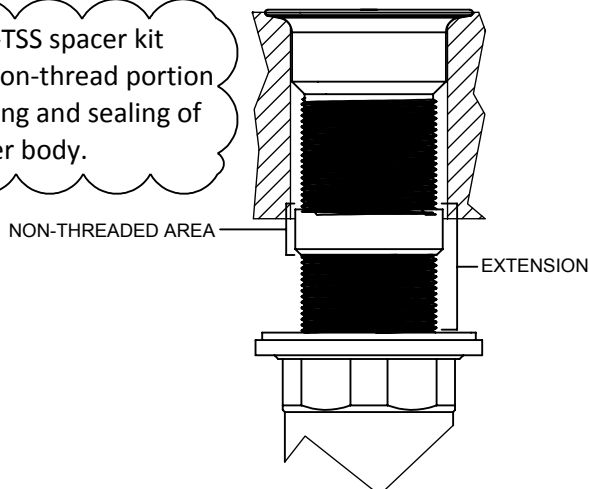
Meets or exceeds the following at date of manufacture:

- ASME A112.18.1/CSA B125.1

9050Z-EXT



Use the 9050Z-TSS spacer kit if extension's non-threaded portion affects tightening and sealing of ZeroDrain lower body.



ALL DIMENSIONS SHOWN TO NEAREST 1/16"