



California Faucets®

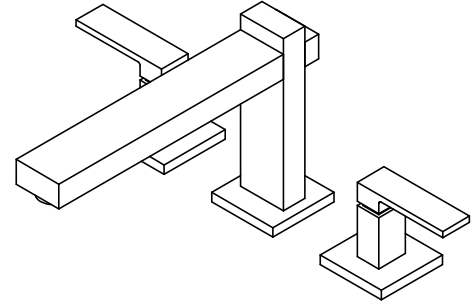
Morro Bay™

ROMAN TUB SET

7708

Features

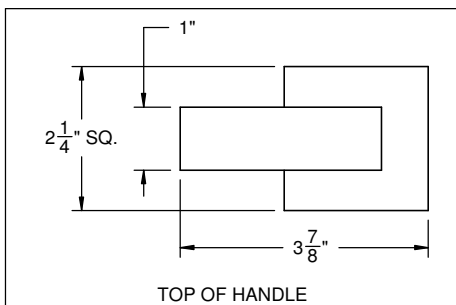
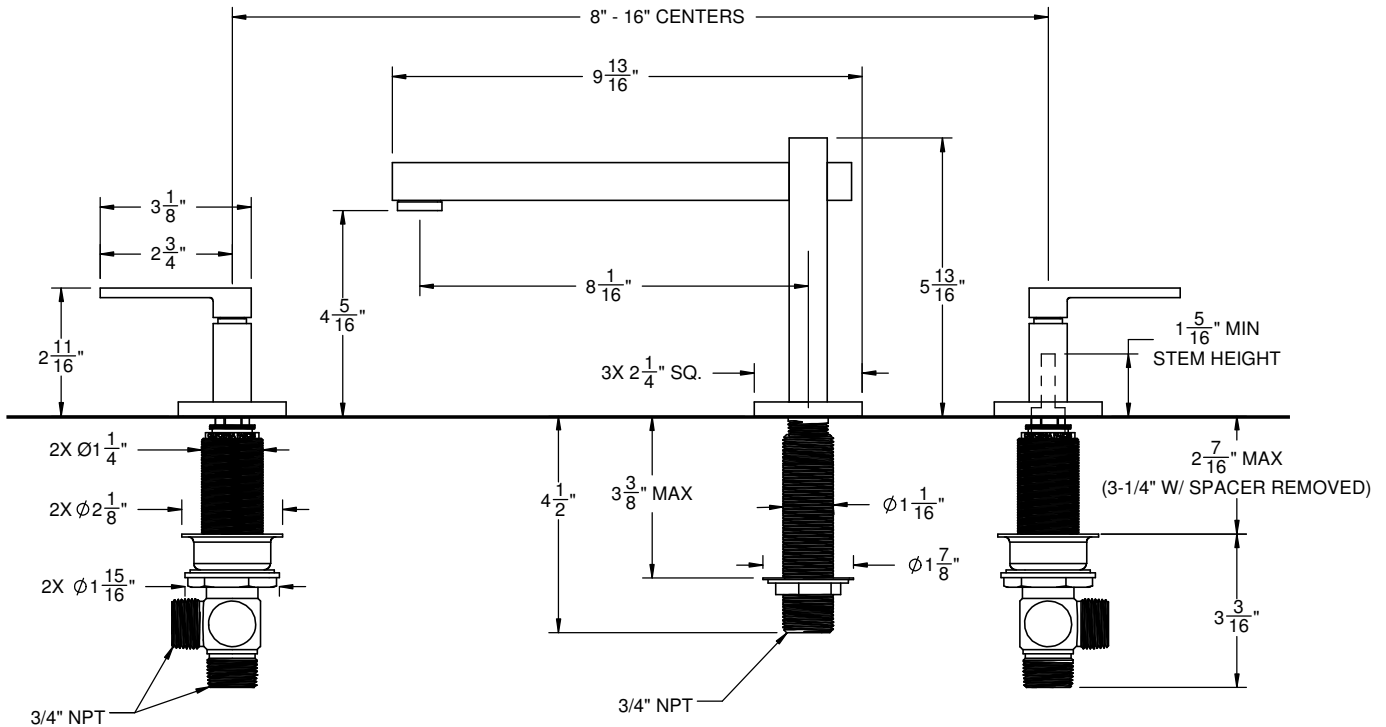
- 8-1/16" spout center to center
- Max flow rate: 10 gpm (37.8 L/min)
- Includes rough-in valves
- 1/4 turn ceramic disc cartridges
- Solid brass construction
- Over 30 finishes including 15 PVD finishes



Codes/Standards

Product meets or exceeds the following:

- ASME A112.18.1/CSA B125.1
- Commonwealth of MA
- ADA compliant



THROUGH-HOLE SPECIFICATIONS		
MIN	RECOMMENDED	MAX
SPOUT: Ø 1-1/16"	Ø 1-3/8"	Ø 1-5/8"
VALVE: Ø 1-1/4"	Ø 1-3/8"	Ø 1-5/8"

SPECIFICATIONS SUBJECT TO CHANGE WITHOUT NOTICE

ALL DIMENSIONS SHOWN TO NEAREST 1/16"