



California Faucets®

Descanso®

Industrial Wall Mount Tub Filler With Handshower

Features

- Over 28 finishes including 13 PVD finishes
- All brass construction
- Tub filler: Maximum flow rate: 15 gpm (56.8 L/min) at 60 psi
- Handshower: Max flow rate 2.0 gpm (7.6 L/min)
- 1/4 turn ceramic disc cartridges

Codes/Standards Applicable

- Product meets or exceeds the following:
- ASME A112.18.1/CSA B125.1
 - CEC (1.8 gpm) / DOE (2.0 & 1.8 gpm)
 - Commonwealth of MA
 - EPA WaterSense handshower (2.0 gpm)
 - ADA compliant (with lever handles)
 - Local codes may require installation of an upstream tempering valve

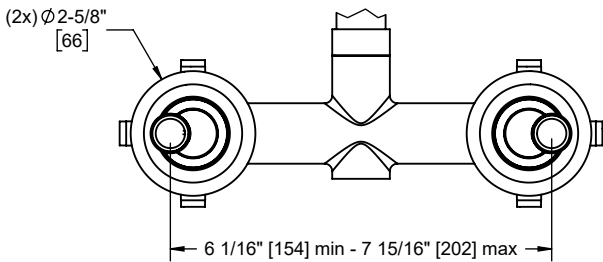
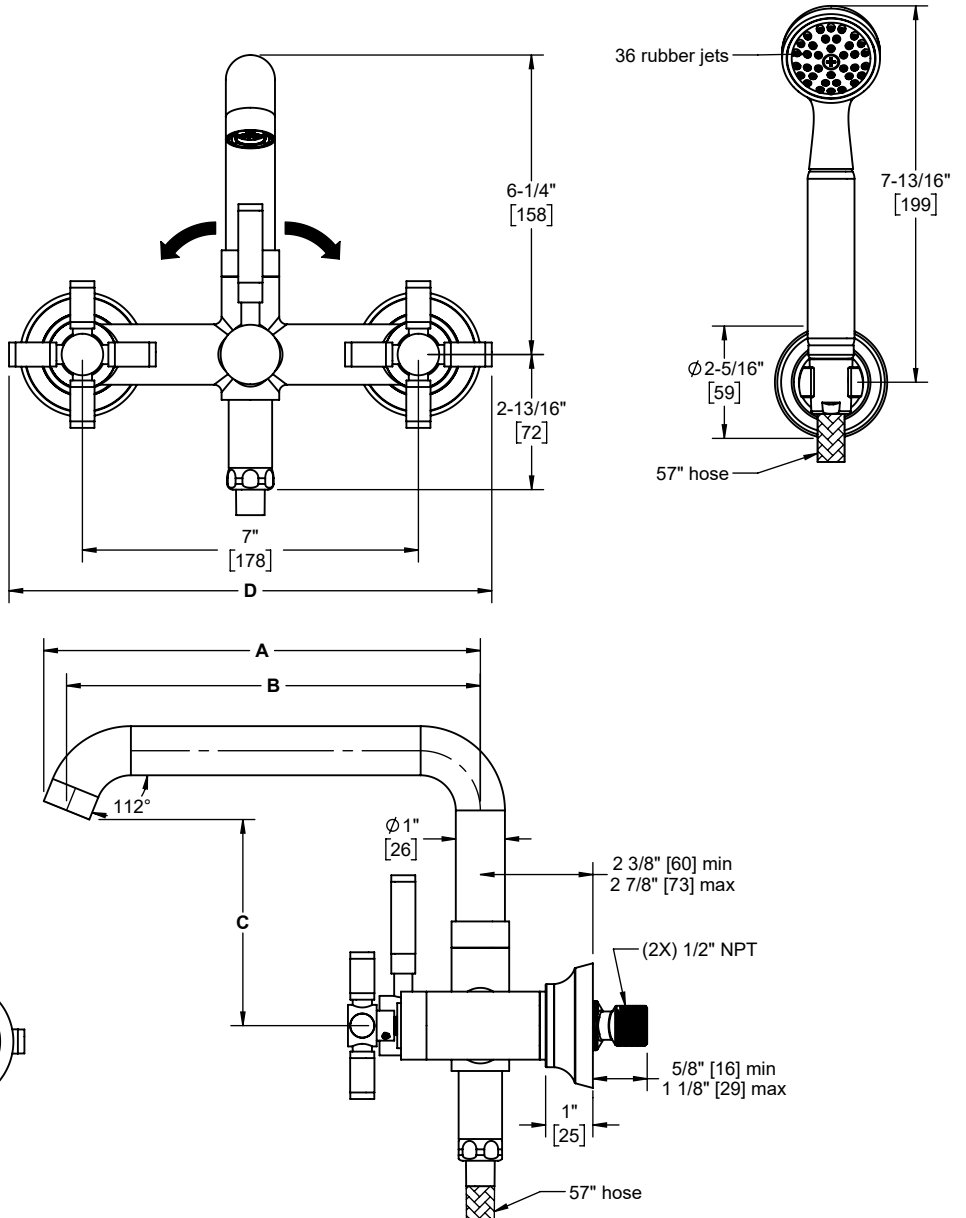


0906-XX.20
0906-XX.18



XX = DENOTES HANDLE SERIES

HANDLE	A	B	C	D
30 30F	9-1/8" [232]	8-5/8" [219]	4-5/16" [110]	13" [330]
30K	9-1/4" [235]	8-3/4" [222]	3-15/16" [100]	13-1/4" [337]
30X 30XF	9-1/8" [232]	8-5/8" [219]	4-5/16" [110]	10-1/16" [256]
30XK	9-1/4" [235]	8-3/4" [222]	3-15/16" [100]	10" [254]
80	9-1/8" [232]	8-5/8" [219]	4-5/16" [110]	13-1/2" [343]
80W 80WB 80WR	9-1/8" [232]	8-5/8" [219]	4-5/16" [110]	9-1/4" [234]



- (1x) plastic #8-10 finned anchor
- (1x) #10 X 2 stainless steel screw

Through-Hole Specifications		
Min	Recommended	Max
Ø 1-13/16" [46]	Ø 1-7/8" [48]	Ø 2" [51]

Dimensions are inches, rounded to 1/16"
[Dimensions in brackets are mm, rounded to 1mm]

Specifications subject to change without notice