



0903-XX.20
0903-XX.18

Features

- 25+ artisan finishes including 12 PVD finishes
- All brass construction
- No additional wall or trap stabilizer kit required
- 15 gpm (56.8 L/min) tub filler max flow rate at 60 psi
- 2.0 gpm (7.6 L/min) or 1.8 gpm (6.8 L/min) handshower max flow rate
- Handshower bracket may be placed on COLD or HOT side of body
- 1/4 turn ceramic disc cartridges
- Rough kit (9516) sold separately

Codes/Standards Applicable

Product meets or exceeds the following:

- ASME A112.18.1/CSA B125.1
- CEC (1.8 gpm) / DOE (2.0 & 1.8 gpm)
- EPA WaterSense handshower (2.0 gpm)
- Commonwealth of MA
- ADA compliant (lever handles only)
- Local codes may require installation of an upstream tempering valve

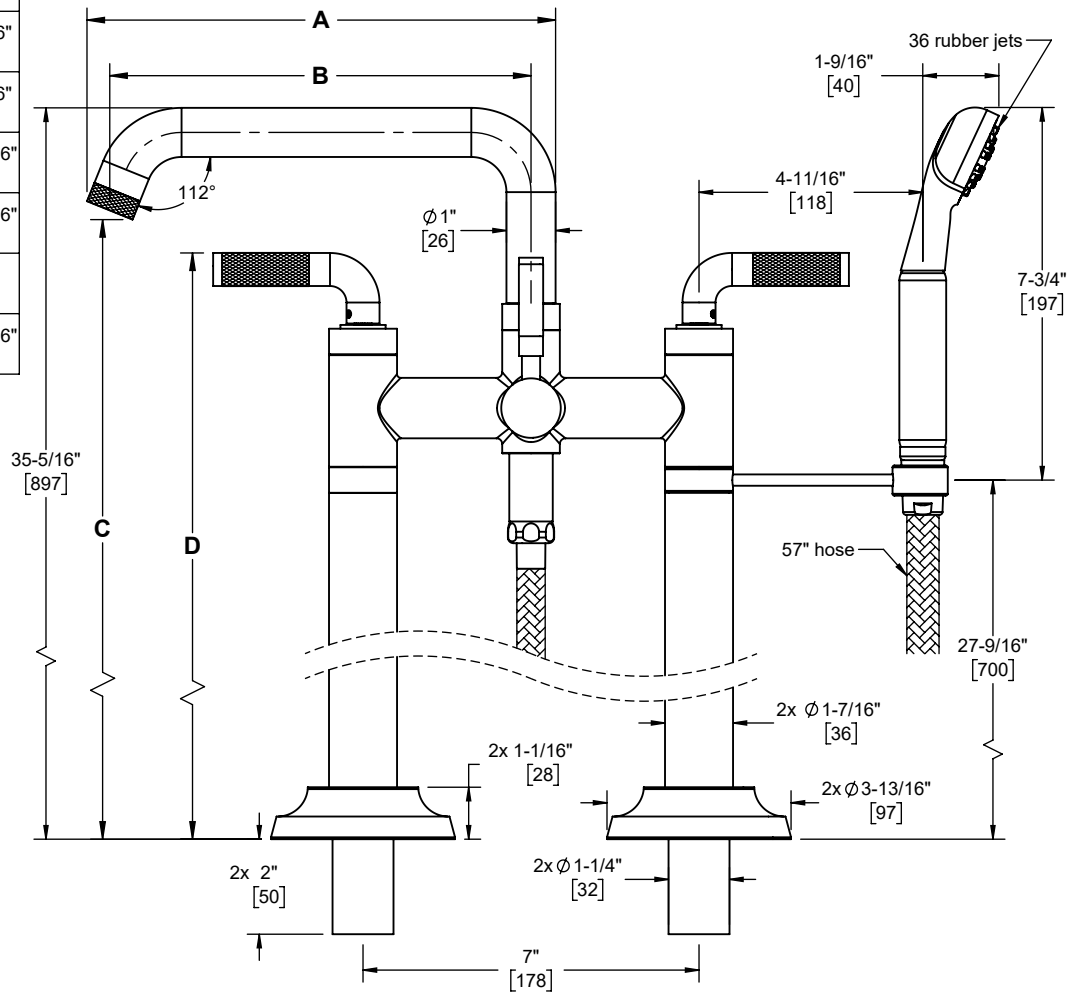


0903-30K.FR-SN shown

XX denotes handle series



Handle Series	A	B	C	D
30 30F 30T	9-5/8" [244]	8-5/8" [219]	33-7/16" [849]	32-5/16" [821]
30K	9-3/4" [248]	8-3/4" [222]	33-1/16" [840]	32-5/16" [821]
30X 30XF 30XT	9-5/8" [244]	8-5/8" [219]	33-7/16" [849]	31-13/16" [808]
30XK	9-3/4" [248]	8-3/4" [222]	33-1/16" [840]	31-13/16" [808]
80	9-5/8" [244]	8-5/8" [219]	33-7/16" [849]	32" [812]
80W 80WB 80WR	9-5/8" [244]	8-5/8" [219]	33-7/16" [849]	31-13/16" [808]



- 8x concrete tri-lobe anchor
- 8x #10 X 2 stainless steel screw

Through-Hole Specifications		
Min	Recommended	Max
Ø 1-1/4" [32]	Ø 1-5/16" [33]	Ø 1-1/2" [38]

Dimensions are inches, rounded to 1/16"
[Dimensions in brackets are mm, rounded to 1mm]

Specifications subject to change without notice