

# ELEGANCIA 7236

72" x 36" x 21"

With shapes and lines that take us back to the Victorian era, this collection transcends time, fitting right in with today's styles.



Contour C14

## PRODUCT NO.

MODEL	TMU	TUB
C10	BELSRDA0T-XX	BELSRDA0N-XX
C11	BELSODB0T-XX	BELSODB0N-XX
C13	BELSODD0T-XX	BELSODD0N-XX
C14	BELSODE0T-XX	BELSODE0N-XX

THERMOMASSEUR (TMU) Hydro-thermo massage • Air jet system	\$6,500
Jets	38
1 heated backrest	Included
MiaPlus® Control	Included
BU-Touch Control Application <b>BUTOUCH</b>	\$430
Geysair®	Included
AromaCloud® <b>BAROMAC</b>	\$490
AromaFlow*** <b>BAROMAF</b> <b>NEW</b>	\$950
Illuzio Chromatherapy <b>BCHRO6</b>	\$925
2 <sup>nd</sup> heated backrest (WTS-1 zone) <b>BSHB</b>	\$1,125

TUB Soaker	\$3,270
AromaCloud® <b>BAROMAC</b>	\$490
AromaFlow*** <b>BAROMAF</b> <b>NEW</b>	\$950
Illuzio Chromatherapy <b>BCHRO6</b>	\$925
WarmTouchShell® <b>BWTS</b>	\$1,125
DOT control	Included with therapy
2 <sup>nd</sup> WarmTouchShell® <b>BWTS2</b>	\$370

## FEATURES

Installation type		Drop-in	
No. of bathers	☺☺	Armrests	4
US gallons	52	Grab bars (color match)	2
Imp. gallons	44		

## STANDARD COLOR

		Included
White <b>01</b>	Biscuit <b>02</b>	

## OPTIONS (UPCHARGE APPLICABLE)

GRAB BARS	CLEAR ACRYLIC* BG8G10-XX		
Chrome <b>07</b>			\$60
Brushed Nickel <b>09</b>			\$60
Polished Nickel <b>10</b>			N/A
WASTE & OVERFLOW	D13 BOVER D13-XX	D14** BOVER D14-XX	INTE- GRATED*** BOVERIN-XX
Chrome <b>07</b>	\$490	\$250	\$235
White <b>01</b> , Biscuit <b>02</b>	N/A	\$265	\$235
Brushed Nickel <b>09</b> , Polished Nickel <b>10</b>	\$500	\$270	\$235
Unplated <b>00</b> , Oil-rubbed Bronze <b>11</b>	\$500	N/A	N/A
Matte Black <b>19</b> , Satin Brass <b>18</b>	N/A	N/A	\$355

**Don't forget to select a contour among the 4 available to choose from.**

\* Specify insert finish. With Chrome or Brushed Nickel inserts.

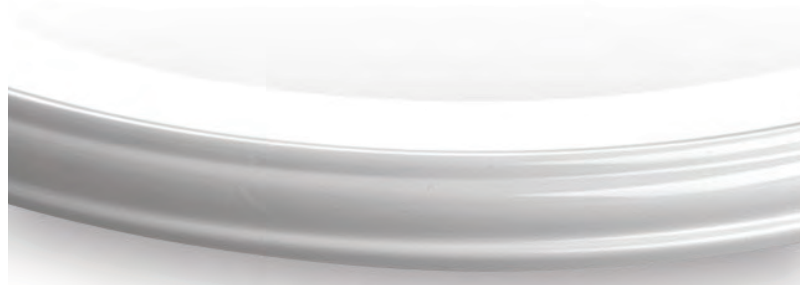
\*\* Piping is not included for the waste & overflow D14.

\*\*\* Only when ordering an AromaFlow; an Integrated waste & overflow is mandatory (Upcharge). Specify the finish of the waste. With the AromaFlow, the included Grab Bars can not be installed.



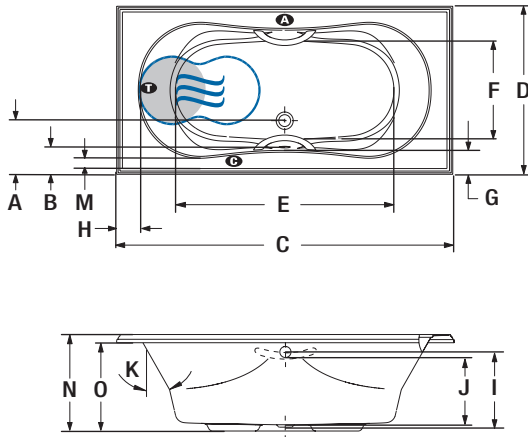
Contour C14

## ELEGANCIA 7236



Contour C14

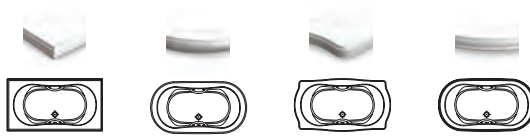
### INSTALLATION



LETTER	DESCRIPTION	MEASURE
A	Outside edge to center drain	11 5/8"
B	Outside edge to overflow	5 5/8"
C	Total length	72"
D	Total width	36 1/8"
E	Bathing well length	47 1/4"
F	Bathing well width	21 3/8"
G	Deck width (widest point)	5 1/4"
H	Deck width at backrest end	5 1/8"
I	Height from bottom of drain to center of overflow	16"
J	Maximum water level (Waste & overflow 16" x 35") Maximum water level with AromaFlow	14 5/16" 14 5/16"
K	Slope of backrests	30°

- A** AromaCloud® position
- G** Control position when factory-installed (Mia® or DOT)
- T** Turbine position (TMU)
- Indicates heated backrest (TMU)
- ☞ Indicates WarmTouchShell® position (TUB)

### CHOOSE YOUR CONTOUR



Drop-in C10

Drop-in C11

Drop-in C13

Drop-in C14

LETTER	M	N	O
<b>DESCRIPTION</b>	Deck width (narrowest point)	Height from bottom of bath to top deck	Height from bottom of bath to bottom of deck
<b>C10</b>	1 7/8"	20 3/4"	18 1/4"
<b>C11</b>	1 7/8"	20 5/8"	17 5/8"
<b>C13</b>	1 1/4"	20 5/8"	18 5/8"
<b>C14</b>	1 5/8"	20 3/4"	18 1/4"

### TECHNICAL SPECIFICATIONS

<b>Hot water supply required</b>	The hot water supply should be 70% or more of the bath's total water capacity.	<b>Cutting template</b>	# 90000042 (C11, C13 & C14)
<b>Turbine</b>	Access to the pump must be at least 18" x 22". <b>Standard connection is 20 A, 120 V, 60 Hz, dedicated line with a Ground-Fault Circuit Interrupter (GFCI). For any additional option, a second line is needed 15 A, 120 V, 60 Hz, dedicated line with a GFCI. Air vent necessary: 2" x 4" minimum.</b>	<b>Approx. shipping weight</b>	137 lb
<b>Others</b>	- The Geysair® is located on the same side as the heated backrest. It must <b>NOT be relocated</b> . It must be <b>connected to the hot water supply</b> and be accessible (provide access).	<b>Turbine power</b>	550 W
		<b>Air heater</b>	600 W
		<b>WARRANTY</b>	
		Controls-LED-Geysair*	5 years
		Bath & turbine*	20 years

\* Some restrictions apply | [www.bainultra.com/warranty](http://www.bainultra.com/warranty)

The specifications shown indicate the outer edge dimension and the inside bathing capacity dimension measured at air jets' height. The manufacturer accepts a 1/4" [0.64 cm] variance. There are variations on each product and specifications are subject to change as we improve upon our product as required. The dimensions needed for site preparation and structure building will differ. BainUltra® assumes no responsibility for preparatory work done prior to the product being on site.