

Stock Code: **72022LEDD-MWH/ACR**

Collection: Pipeline

PRODUCT INFORMATION

Base: 72022 Parent: 72022LEDD
Mounting Type: Ceiling UPC: 641594249408
Finish: Matte White
Diffuser: Acrylic Lens

PRODUCT MEASUREMENTS

FIXTURE	BACKPLATE / CANOPY
Length:	Length
Width:	Width:
Diameter 1.25"	Diameter: 4.75"
Height: 15.5"	Height: .75"
Extension:	
Overall Height: 20.5-136.5"	

TECHNICAL SPECIFICATIONS

SPECIFICATIONS

Frame Material: Aluminum
Diffuser Material: Acrylic
Lamping Type: SSL (Dedicated LED) Jbox: Standard
Lamping Base: SSL Lamp Wattage: 5 W
Lamp Quantity: 1 Total Wattage: 5 W
Voltage: 120v Lamps Included: Yes

QUALIFICATIONS

Location Rating: Damp
Certification: ETL (US/Canada) Listed
ADA Compliant: No Energy Star: No
JA8 Compliant: No Emergency Lighting: No
Marine Grade Finish: No
Warranty: 5 Year

PHOTOMETRICS

Dimmable: Yes Nominal Lumens 450 Lm
CRI: 80 Delivered Lumens: N/A
CCT: 3000K
Recommended Dimmers:
(TRIAC)LEVITON Surslide 6631; (TRIAC)LUTRON Skylark CL
SCL-153 or SCL-153P; (TRIAC)LUTRON Diva DVCL-153P;
(ELV)LUTRON Maestro CL MACL-153M; (ELV)LUTRON Skylark
Contour CTCL-153P

ADDITIONAL NOTES

10 feet of clear coated cord included; Custom Finish 100 Piece
Minimum Order Quantity

Project Name: _____

Location: _____

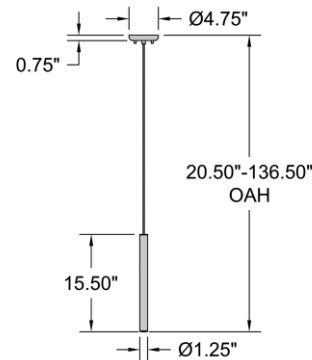
Type: _____

Quantity: _____

Notes: _____



LINE DRAWING



IES FILE

In addition to Access Lighting's purchase and warranty terms and conditions, by signing below or placing an order, you agree that you are authorized to bind the entity placing any order and acknowledge the following: All of sizes and measurements are approximate and all images are for illustrative purposes only. In the event of an inconsistency, the "Product Measurements" section controls. There also may be slight differences in the colors and designs compared to the displayed and printed images.

Signature: _____

Print Name _____ Date: _____

Toll Free 800-828-5483 www.AccessLighting.com

14410 Myford Road, Irvine, CA 92606

The information is subject to change without notice. 3/29/2023 72022LEDD-MWH_ACR.pdf

