

Model No :: **63122LEDDL-ABRZ/CLR**
 Name :: Burst



Project Name :: _____
 Location :: _____
 Type :: _____
 Quantity :: _____
 Notes :: _____

Product Information

Product ID :: 63122
 UPC Code :: 641594230161
 Mounting Type :: Ceiling
 Finish :: Antique Bronze (ABRZ)
 Diffuser :: Clear (CLR)
 Alt. Finishes :: Antique Bronze (ABRZ); Chrome (CH)
 Alt. Diffusers :: Clear (CLR)

Product Dimensions

Fixture	Canopy
Length :: N/A	Length :: N/A
Width :: N/A	Width :: N/A
Diameter :: 28"	Diameter :: 4.75"
Extension :: N/A	Height :: N/A
Height :: 26.5"	
Overall Height :: 33-136"	



Technical Specifications

Qualifications

Location Rating :: Dry
 Certification :: UL Listed (US/Canada)
 IES File ::
 JA8 Compliant :: No
 Energy Star :: No
 ADA Compliant :: No
 Marine Grade :: No
 Emergency Lighting :: No
 Warranty :: 1 Year Limited

Specifications

Frame Material :: Metal
 Diffuser Material :: Glass
 Voltage :: 120v
 Lamping Type :: Replaceable LED
 Lamping Base :: G9
 Lamp Quantity :: 9
 Lamp Wattage :: 4.5 W
 Total Wattage :: 40.5w
 Lamps Included :: Yes
 J-Box Type :: Standard

Photometrics

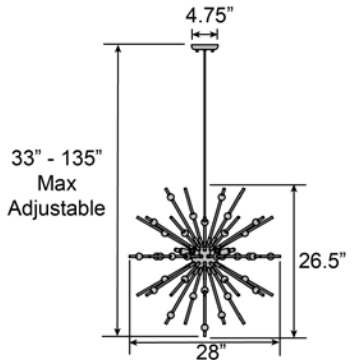
CCT :: 3000
 CRI :: 80
 Wattage :: 40.5w
 Nominal Lumens :: 4050Lm
 Delivered Lumens :: N/A

Recommended Dimmers

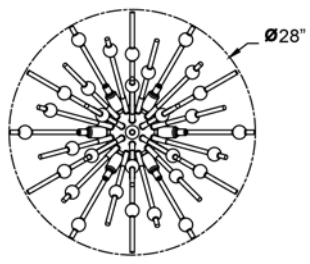
(ELV) LUTRON Diva DVELV-300P; (ELV) LUTRON Diva DVELV-303P; (ELV) LUTRON Skylark SELV-300P; (TRIAC) LUTRON Diva DVCL-153P

Additional Items :: 0

Line Drawing #1



Line Drawing #2



IES File

Image Not Available

Toll Free 800-828-5483 • www.AccessLighting.com

14410 Myford Road, Irvine, CA 92606

The information provided is subject to change without notice. ©2020 Access Lighting Corporation. All Rights Reserved
 Rev. 202004 Filename:: 63122LEDDL-ABRZ_CLR.pdf

