

Model No :: **62361LEDD-CH/CRY**  
 Name :: Magari



Project Name :: \_\_\_\_\_  
 Location :: \_\_\_\_\_  
 Type :: \_\_\_\_\_  
 Quantity :: \_\_\_\_\_  
 Notes :: \_\_\_\_\_

**Product Information**

Product ID :: 62361  
 UPC Code :: 641594223743  
 Mounting Type :: Ceiling  
 Finish :: Chrome (CH)  
 Diffuser :: Crystal (CRY)  
 Alt. Finishes :: Chrome (CH)  
 Alt. Diffusers :: Crystal (CRY)

**Product Dimensions**

Fixture	Canopy
Length :: 33"	Length :: 4.5"
Width :: 9"	Width :: 7"
Diameter :: N/A	Diameter :: N/A
Extension :: N/A	Height :: N/A
Height :: 8.5"	
Overall Height :: 10-126"	

**Technical Specifications**

**Qualifications**

Location Rating :: Dry  
 Certification :: ETL Listed (US/Canada)  
 IES File ::  
 JA8 Compliant :: No  
 Energy Star :: No  
 ADA Compliant :: No  
 Marine Grade :: No  
 Emergency Lighting :: No  
 Warranty :: 5 Year Limited

**Specifications**

Frame Material :: Stainless Steel  
 Diffuser Material :: Glass  
 Voltage :: 120v  
 Lamping Type :: Dedicated LED  
 Lamping Base :: SSL  
 Lamp Quantity :: 1  
 Lamp Wattage :: 30 W  
 Total Wattage :: 30w  
 Lamps Included :: Yes  
 J-Box Type :: Standard

**Photometrics**

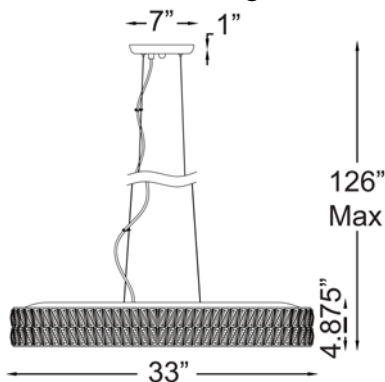
CCT :: 3000  
 CRI :: 80  
 Wattage :: 30w  
 Nominal Lumens :: 2700Lm  
 Delivered Lumens :: N/A

**Recommended Dimmers**

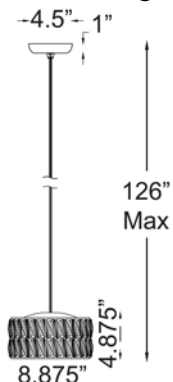
(ELV) LUTRON Maestro CL  
 MACL-153M; (ELV) LUTRON  
 Skylark Contour CTCL-153P;  
 (TRIAC) LEVITON Surslide 6631;  
 (TRIAC) LUTRON Diva DVCL-  
 153P; (TRIAC) LUTRON Skylark  
 CL SCL-153 or SCL-153P

Additional Items :: 0

**Line Drawing #1**



**Line Drawing #2**



**IES File**

Image  
 Not Available

**Toll Free 800-828-5483 • www.AccessLighting.com**

14410 Myford Road, Irvine, CA 92606

The information provided is subject to change without notice. ©2020 Access Lighting Corporation. All Rights Reserved  
 Rev. 202004 File name:: 62361LEDD-CH\_CRY.pdf

