

Model No :: **50942LEDD-GRY/ACR**  
 Name :: Radiant



Project Name :: \_\_\_\_\_  
 Location :: \_\_\_\_\_  
 Type :: \_\_\_\_\_  
 Quantity :: \_\_\_\_\_  
 Notes :: \_\_\_\_\_

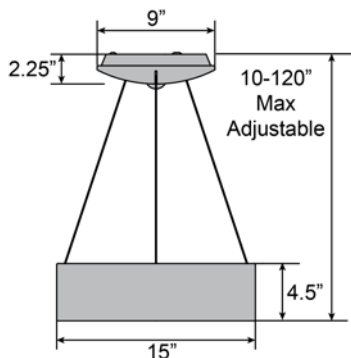
Product Information	
Product ID ::	50942
UPC Code ::	641594229295
Mounting Type ::	Ceiling
Finish ::	Gray (GRY)
Diffuser ::	Acrylic Lens (ACR)
Alt. Finishes ::	Gray (GRY); White (WH)
Alt. Diffusers ::	Acrylic Lens (ACR)

Product Dimensions			
<b>Fixture</b>		<b>Canopy</b>	
Length ::	N/A	Length ::	N/A
Width ::	N/A	Width ::	N/A
Diameter ::	15"	Diameter ::	9"
Extension ::	N/A	Height ::	2.25"
Height ::	8"		
Overall Height ::	10-130"		

### Technical Specifications

Qualifications	Specifications	Photometrics	Recommended Dimmers
Location Rating :: Damp	Frame Material :: Aluminum	CCT :: 3000	0
Certification :: UL Listed (US/Canada)	Diffuser Material :: Acrylic	CRI :: 85	
IES File ::	Voltage :: 120-277v	Wattage :: 21w	
JA8 Compliant :: No	Lamping Type :: Dedicated LED	Nominal Lumens :: 1400Lm	
Energy Star :: No	Lamping Base :: SSL	Delivered Lumens :: 708Lm	
ADA Compliant :: No	Lamp Quantity :: 1	Additional Items :: 120-277v	
Marine Grade :: No	Lamp Wattage :: 21 W		
Emergency Lighting :: No	Total Wattage :: 21w		
Warranty :: 5 Year Limited	Lamps Included :: Yes		
	J-Box Type :: Standard		

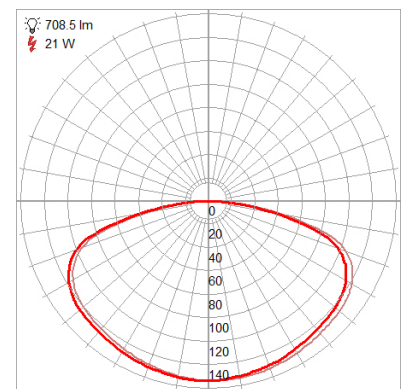
Line Drawing #1



Line Drawing #2

Image Not Available

IES File



Toll Free 800-828-5483 • [www.AccessLighting.com](http://www.AccessLighting.com)

14410 Myford Road, Irvine, CA 92606

The information provided is subject to change without notice. ©2020 Access Lighting Corporation. All Rights Reserved  
 Rev. 202004 Filename: 50942LEDD-GRY\_ACR.pdf

