

Model No :: **50011LEDD-BL/CLR**  
 Name :: Transformer



Project Name :: \_\_\_\_\_  
 Location :: \_\_\_\_\_  
 Type :: \_\_\_\_\_  
 Quantity :: \_\_\_\_\_  
 Notes :: \_\_\_\_\_

**Product Information**

Product ID :: 50011  
 UPC Code :: 641594229462  
 Mounting Type :: Ceiling  
 Finish :: Black (BL)  
 Diffuser :: Clear (CLR)  
 Alt. Finishes :: Black (BL); White (WH)  
 Alt. Diffusers :: Clear (CLR)

**Product Dimensions**

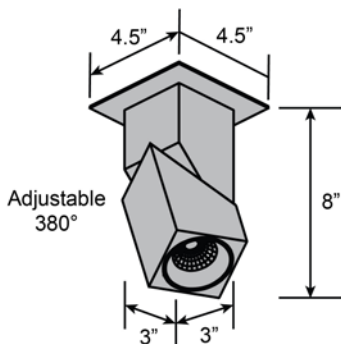
Fixture	Canopy
Length :: 3"	Length :: 4.5"
Width :: 3"	Width :: 4.5"
Diameter :: N/A	Diameter :: N/A
Extension :: N/A	Height :: 0.5"
Height :: 8"	
Overall Height :: N/A	



**Technical Specifications**

Qualifications	Specifications	Photometrics	Recommended Dimmers
Location Rating :: Damp	Frame Material :: Aluminum	CCT :: 3000	0
Certification :: UL Listed (US/Canada)	Diffuser Material:: Glass	CRI :: 85	
IES File ::	Voltage :: 120-277v	Wattage :: 11w	
JA8 Compliant :: No	Lamping Type :: Dedicated LED	Nominal Lumens :: 1200Lm	
Energy Star :: No	Lamping Base :: SSL	Delivered Lumens :: 985Lm	
ADA Compliant :: No	Lamp Quantity :: 1		
Marine Grade :: No	Lamp Wattage :: 11 W		
Emergency Lighting :: No	Total Wattage :: 11w		
Warranty :: 5 Year Limited	Lamps Included :: Yes		
	J-Box Type :: Standard		
		Additional Items :: 380Å,Å° Adjustable head	

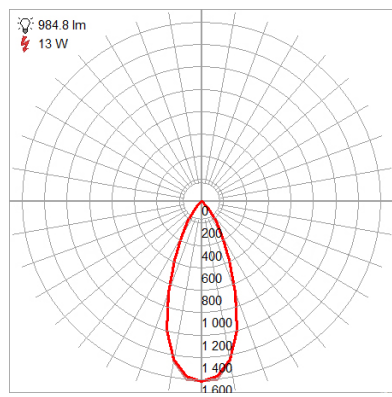
**Line Drawing #1**



**Line Drawing #2**

Image Not Available

**IES File**



**Toll Free 800-828-5483 • www.AccessLighting.com**

14410 Myford Road, Irvine, CA 92606  
 The information provided is subject to change without notice. ©2020 Access Lighting Corporation. All Rights Reserved  
 Rev. 202004 File name:: 50011LEDD-BL\_CLR.pdf

