

Stock Code: **20507LEDD-BS/ACR**

Collection: Solero III

### PRODUCT INFORMATION

Base: 20507 Parent: 20507LEDD  
Mounting Type: Ceiling UPC: 641594245226  
Finish: Brushed Steel  
Diffuser: Acrylic Lens

### PRODUCT MEASUREMENTS

FIXTURE	BACKPLATE / CANOPY
Length:	Length
Width:	Width:
Diameter 14"	Diameter:
Height: 3.5"	Height:
Extension:	
Overall Height:	

### TECHNICAL SPECIFICATIONS

#### SPECIFICATIONS

Frame Material: Metal  
Diffuser Material: Acrylic  
Lamping Type: SSL (Dedicated LED) Jbox: Standard  
Lamping Base: SSL Lamp Wattage: 20 W  
Lamp Quantity: 1 Total Wattage: 20 W  
Voltage: 120v Lamps Included: Yes

#### QUALIFICATIONS

Location Rating Damp  
Certification: ETL (US/Canada) Listed  
ADA Compliant: No Energy Star: No  
JA8 Compliant: Yes Emergency Lighting: No  
Marine Grade Finish: No  
Warranty: 5 Year

#### PHOTOMETRICS

Dimmable: Yes Nominal Lumens 1500 Lm  
CRI: 90 Delivered Lumens: 1150 Lm  
CCT: 3000K  
Recommended Dimmers:  
(TRIAC)LUTRON Ariadni/Toggler TGCL-153P; (TRIAC)LEVITON Decora Sureslide 6672; (TRIAC)LEVITON illumatech IPI06; (ELV)LUTRON Diva DVELV-300P; (TRIAC)LEVITON Trimatron 6684; (ELV)LUTRON Maestro CL (Package) MACL-153M-RHW; (FLV)LUTRON Maestro CL MACL-153M: (

#### ADDITIONAL NOTES

Optional Color Temperature 500 Piece Minimum Order Quantity;  
Custom Finish 5 Piece Minimum Order Quantity

Project Name: \_\_\_\_\_

Location: \_\_\_\_\_

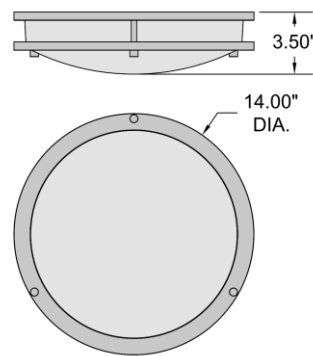
Type: \_\_\_\_\_

Quantity: \_\_\_\_\_

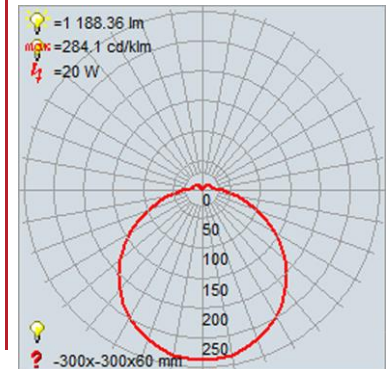
Notes: \_\_\_\_\_



#### LINE DRAWING



#### IES FILE



In addition to Access Lighting's purchase and warranty terms and conditions, by signing below or placing an order, you agree that you are authorized to bind the entity placing any order and acknowledge the following: All of sizes and measurements are approximate and all images are for illustrative purposes only. In the event of an inconsistency, the "Product Measurements" section controls. There also may be slight differences in the colors and designs compared to the displayed and printed images.

Signature: \_\_\_\_\_

Print Name \_\_\_\_\_ Date: \_\_\_\_\_

Toll Free 800-828-5483 [www.AccessLighting.com](http://www.AccessLighting.com)

14410 Myford Road, Irvine, CA 92606

The information is subject to change without notice. 3/18/2023 20507LEDD-BS\_ACR.pdf

**access**  
LIGHTING