

Model No :: **20416LEDDL-BS/OPL**  
 Name :: Artemis



Project Name :: \_\_\_\_\_  
 Location :: \_\_\_\_\_  
 Type :: \_\_\_\_\_  
 Quantity :: \_\_\_\_\_  
 Notes :: \_\_\_\_\_

Product Information	
Product ID ::	20416
UPC Code ::	641594230291
Mounting Type ::	Wall
Finish ::	Brushed Steel (BS)
Diffuser ::	Opal (OPL)
Alt. Finishes ::	Brushed Steel (BS)
Alt. Diffusers ::	Opal (OPL)

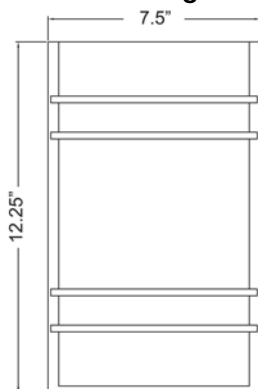
Product Dimensions		
<b>Fixture</b>		<b>Canopy</b>
Length ::	N/A	Length :: 12.25"
Width ::	7.5"	Width :: 7.5"
Diameter ::	N/A	Diameter :: N/A
Extension ::	4"	Height :: 0.5"
Height ::	12.25"	
Overall Height ::	N/A	



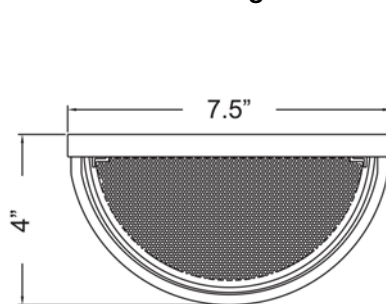
### Technical Specifications

Qualifications	Specifications	Photometrics	Recommended Dimmers
Location Rating :: Dry	Frame Material :: Steel	CCT :: 3000	(ELV) LUTRON Skylark SELV-300P; (TRIAC) LEGRAND Titan CD703-PW
Certification :: UL Listed (US/Canada)	Diffuser Material :: Glass	CRI :: 93	
IES File ::	Voltage :: 120v	Wattage :: 20w	
JA8 Compliant :: Yes	Lamping Type :: Replaceable LED	Nominal Lumens :: 1600Lm	
Energy Star :: Yes	Lamping Base :: E-26	Delivered Lumens :: N/A	
ADA Compliant :: Yes	Lamp Quantity :: 2	Additional Items :: 0	
Marine Grade :: No	Lamp Wattage :: 10 W		
Emergency Lighting :: No	Total Wattage :: 20w		
Warranty :: 3 Year Limited	Lamps Included :: Yes		
	J-Box Type :: Standard		

Line Drawing #1



Line Drawing #2



IES File

Image Not Available

Toll Free 800-828-5483 • [www.AccessLighting.com](http://www.AccessLighting.com)

14410 Myford Road, Irvine, CA 92606

The information provided is subject to change without notice. ©2020 Access Lighting Corporation. All Rights Reserved  
 Rev. 202004 Filename: 20416LEDDL-BS\_OPL.pdf

