

Model No :: **20416LEDD-MBL/OPL**
 Name :: Artemis



Project Name :: _____
 Location :: _____
 Type :: _____
 Quantity :: _____
 Notes :: _____

Product Information

Product ID :: 20416
 UPC Code :: 6.41594E+11
 Mounting Type :: Wall
 Finish :: Matte Black
 Diffuser :: Opal
 Alt. Finishes :: Brushed Steel (BS); Matte Black (MBL)
 Alt. Diffusers :: Opal (OPL); Seeded Glass (SDG)

Product Dimensions

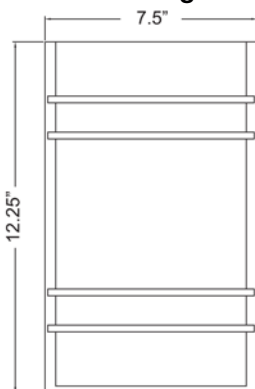
Fixture	Canopy
Length ::	Length :: 12.25
Width :: 7.5	Width :: 7.5
Diameter ::	Diameter ::
Extension :: 4	Height :: 0.5
Height :: 12.25	
Overall Height ::	



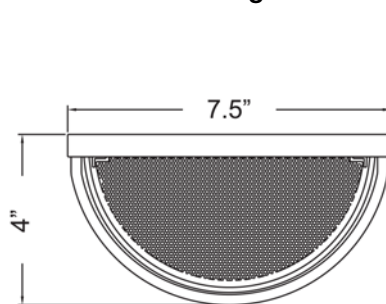
Technical Specifications

Qualifications	Specifications	Photometrics	Recommended Dimmers
Location Rating :: Damp	Frame Material :: Steel	CCT :: 3000 K	(ELV) LUTRON Diva DVELV-300P; (ELV) LUTRON Diva DVELV-303P; (ELV) LUTRON Skylark SELV-300P
Certification :: UL Listed (US/Canada)	Diffuser Material:: Glass	CRI :: 90	
IES File ::	Voltage :: 120v	Wattage :: 16 W	Additional Items :: 0
JA8 Compliant :: No	Lamping Type :: LED SSL (DLED)	Nominal Lumens :: 1650	
Energy Star :: Yes	Lamping Base :: SSL	Delivered Lumens :: 0	
ADA Compliant :: Yes	Lamp Quantity :: 1		
Marine Grade :: No	Lamp Wattage :: 16 W		
Emergency Lighting :: No	Total Wattage :: 16 W		
Warranty :: 1 Year Limited	Lamps Included :: Yes		
	J-Box Type :: Standard		

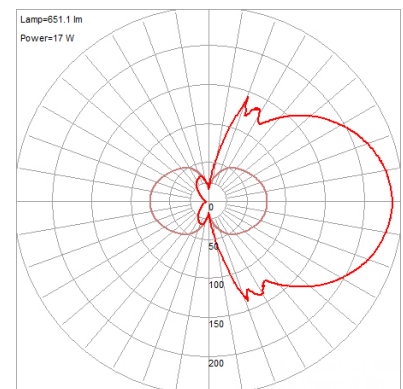
Line Drawing #1



Line Drawing #2



IES File



Toll Free 800-828-5483 • www.AccessLighting.com

14410 Myford Road, Irvine, CA 92606

The information provided is subject to change without notice. ©2020 Access Lighting Corporation. All Rights Reserved
 Rev. 202105 Filename:: 20416LEDD-MBL_OPL.pdf

