

Model No :: **20416LEDD-BS/OPL**  
 Name :: Artemis



Project Name :: \_\_\_\_\_  
 Location :: \_\_\_\_\_  
 Type :: \_\_\_\_\_  
 Quantity :: \_\_\_\_\_  
 Notes :: \_\_\_\_\_

**Product Information**

Product ID :: 20416  
 UPC Code :: 641594199840  
 Mounting Type :: Wall  
 Finish :: Brushed Steel (BS)  
 Diffuser :: Opal (OPL)  
 Alt. Finishes :: Brushed Steel (BS)  
 Alt. Diffusers :: Opal (OPL)

**Product Dimensions**

Fixture	Canopy
Length :: N/A	Length :: 12.25"
Width :: 7.5"	Width :: 7.5"
Diameter :: N/A	Diameter :: N/A
Extension :: 4"	Height :: 0.5"
Height :: 12.25"	
Overall Height :: N/A	



**Technical Specifications**

**Qualifications**

Location Rating :: Damp  
 Certification :: UL Listed (US/Canada)  
 IES File ::  
 JA8 Compliant :: No  
 Energy Star :: Yes  
 ADA Compliant :: Yes  
 Marine Grade :: No  
 Emergency Lighting :: No  
 Warranty :: 5 Year Limited

**Specifications**

Frame Material :: Steel  
 Diffuser Material :: Glass  
 Voltage :: 120v  
 Lamping Type :: Dedicated LED  
 Lamping Base :: SSL  
 Lamp Quantity :: 1  
 Lamp Wattage :: 16 W  
 Total Wattage :: 16w  
 Lamps Included :: Yes  
 J-Box Type :: Standard

**Photometrics**

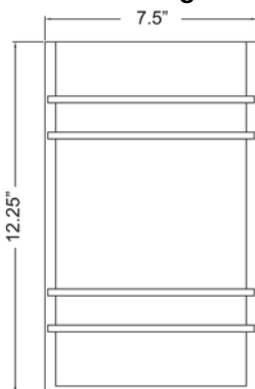
CCT :: 3000  
 CRI :: 90  
 Wattage :: 16w  
 Nominal Lumens :: 1650Lm  
 Delivered Lumens :: N/A

**Recommended Dimmers**

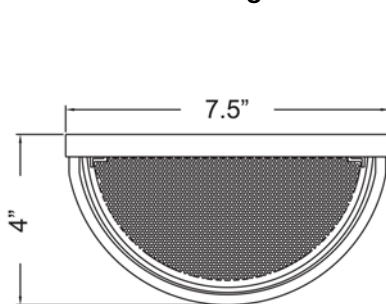
(ELV) LUTRON Diva DVELV-300P; (ELV) LUTRON Diva DVELV-303P; (ELV) LUTRON Skylark SELV-300P

Additional Items :: Alt Color Temperatures Available; Available in 0-10V Dim; Available in 277V; ELV DIMMERS Lutron: DVELV-300P, SELV-300P

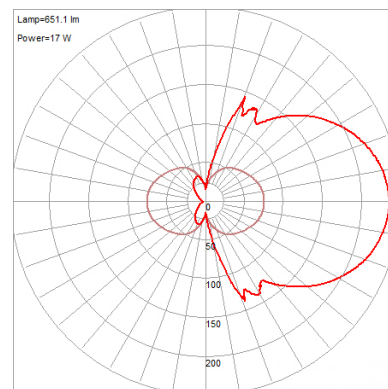
**Line Drawing #1**



**Line Drawing #2**



**IES File**



**Toll Free 800-828-5483 • www.AccessLighting.com**

14410 Myford Road, Irvine, CA 92606

The information provided is subject to change without notice. ©2020 Access Lighting Corporation. All Rights Reserved  
 Rev. 202004 Filename:: 20416LEDD-BS\_OPL.pdf

