

Model No :: **20362LEDDLDP-SAT/OPL**  
 Name :: Artemis



Project Name :: \_\_\_\_\_  
 Location :: \_\_\_\_\_  
 Type :: \_\_\_\_\_  
 Quantity :: \_\_\_\_\_  
 Notes :: \_\_\_\_\_

**Product Information**

Product ID :: 20362  
 UPC Code :: 641594227475  
 Mounting Type :: Wall  
 Finish :: Satin (SAT)  
 Diffuser :: Opal (OPL)  
 Alt. Finishes :: Bronze (BRZ); Satin (SAT)  
 Alt. Diffusers :: Opal (OPL)

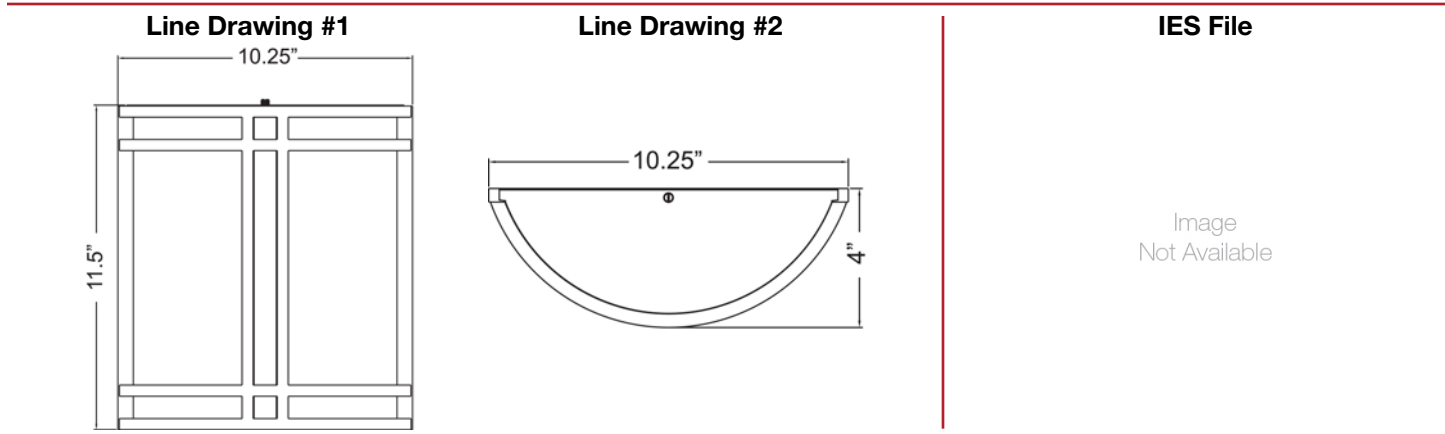
**Product Dimensions**

| Fixture               | Canopy          |
|-----------------------|-----------------|
| Length :: N/A         | Length :: 11.5" |
| Width :: 10.25"       | Width :: 10.5"  |
| Diameter :: N/A       | Diameter :: N/A |
| Extension :: 4"       | Height :: 0.5"  |
| Height :: 11.5"       |                 |
| Overall Height :: N/A |                 |



**Technical Specifications**

| Qualifications                         | Specifications                  | Photometrics                           | Recommended Dimmers            |
|--|---------------------------------|--|--------------------------------|
| Location Rating :: Wet                 | Frame Material :: Steel         | CCT :: 3000                            | (TRIAC) LEVITON Surslide 6631; |
| Certification :: UL Listed (US/Canada) | Diffuser Material :: Glass      | CRI :: 90                              | (TRIAC) LEVITON illumatech     |
| IES File ::                            | Voltage :: 120v                 | Wattage :: 20w                         | IPI06; (TRIAC) LUTRON Diva     |
| JA8 Compliant :: Yes                   | Lamping Type :: Replaceable LED | Nominal Lumens :: 1600Lm               | DVCL-153P; (TRIAC) LUTRON      |
| Energy Star :: No                      | Lamping Base :: E-26            | Delivered Lumens :: N/A                | Skylark S-600 or S-600P        |
| ADA Compliant :: Yes                   | Lamp Quantity :: 2              | Additional Items :: Open on the Bottom |                                |
| Marine Grade :: No                     | Lamp Wattage :: 10 W            |  |                                |
| Emergency Lighting :: No               | Total Wattage :: 20w            |  |                                |
| Warranty :: 1 Year Limited             | Lamps Included :: Yes           |  |                                |
|  | J-Box Type :: Standard          |  |                                |



Toll Free 800-828-5483 • [www.AccessLighting.com](http://www.AccessLighting.com)

14410 Myford Road, Irvine, CA 92606  
 The information provided is subject to change without notice. ©2020 Access Lighting Corporation. All Rights Reserved  
 Rev. 202004 Filename:: 20362LEDDLDP-SAT\_OPL.pdf

